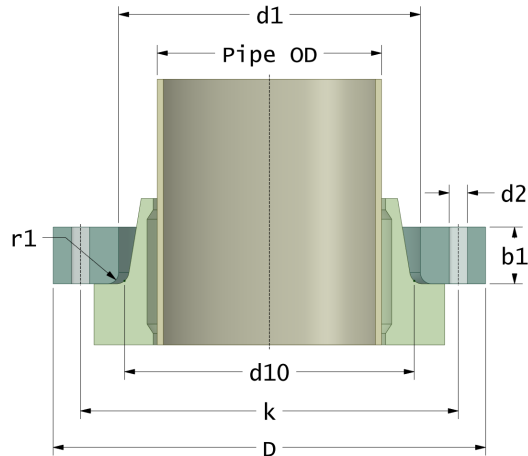


Overschuif Flenzen / Backing Ringen

Type BRPPE / passend op PE & PP kraagbus

Drilling Standard: EN1092 PN16



#	DN (mm)	Pmax (bar)	Pipe OD (mm)	D (mm)	d1 (mm)	d10 (mm)	r1 (mm)	k (mm)	Holes (no.)	d2 (mm)	b1 (mm)	Resin Type	Product Color	Article Number
1	15	16	20	98	28	27	3	65	4	14	15	Polyester	Black	BRPPE-15-28-16/16
2	20	16	25	116	34	33	3	75	4	14	15	Polyester	Black	BRPPE-20-34-16/16
3	25	16	32	116	42	40	3	85	4	14	15	Polyester	Black	BRPPE-25-42-16/16
4	32	16	40	140	51	50	3	100	4	18	16	Polyester	Black	BRPPE-32-51-16/16
5	40	16	50	154	62	61	3	110	4	18	18	Polyester	Black	BRPPE-40-62-16/16
6	50	16	63	164	78	77	4	125	4	18	18	Polyester	Black	BRPPE-50-78-16/16
7	65	16	75	184	92	89	4	145	4	18	20	Polyester	Black	BRPPE-65-92-16/16
8	80	10	90	200	108	107	4	160	8	18	23	Polyester	Black	BRPPE-80-108-10/16
9	80	16	90	200	108	107	4	160	8	18	28	Polyester	Black	BRPPE-80-108-16/16
10	100	6	110	228	128	125	5	180	8	18	20	Polyester	Black	BRPPE-100-128-06/16
11	100	6	125	228	134	133	5	180	8	18	20	Polyester	Black	BRPPE-100-134-06/16
12	100	10	110	228	128	125	5	180	8	18	25	Polyester	Black	BRPPE-100-128-10/16
13	100	10	125	228	134	133	5	180	8	18	25	Polyester	Black	BRPPE-100-134-10/16
14	100	16	110	228	128	125	5	180	8	18	30	Polyester	Black	BRPPE-100-128-16/16
15	100	16	125	228	134	133	5	180	8	18	30	Polyester	Black	BRPPE-100-134-16/16
16	125	6	140	254	158	155	5	210	8	18	22	Polyester	Black	BRPPE-125-158-06/16
17	125	10	140	254	158	155	5	210	8	18	28	Polyester	Black	BRPPE-125-158-10/16
18	125	16	140	254	158	155	5	210	8	18	34	Polyester	Black	BRPPE-125-158-16/16
19	150	6	160	284	178	175	5	240	8	22	25	Polyester	Black	BRPPE-150-178-06/16
20	150	6	180	284	185	182	5	240	8	22	25	Polyester	Black	BRPPE-150-185-06/16
21	150	10	160	284	178	175	5	240	8	22	32	Polyester	Black	BRPPE-150-178-10/16

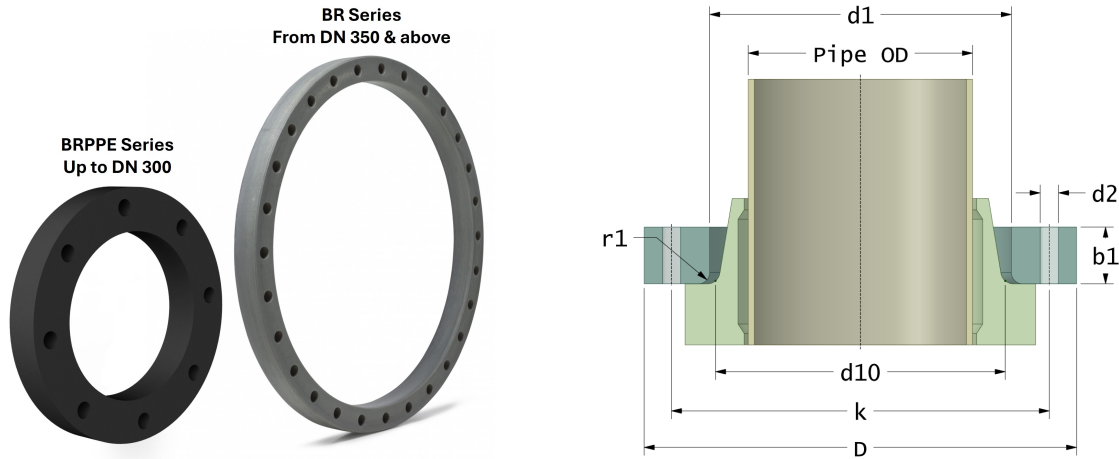
Disclaimer

Whilst every care is taken to ensure that the information on this website is complete and accurate, the Rotec Composite Group BV cannot accept responsibility for any omissions or inaccuracies or for any consequences arising therefrom. By using this website, the user accepts the terms of this disclaimer.

Overschuif Flenzen / Backing Ringen

Type BRPPE / passend op PE & PP kraagbus

Drilling Standard: EN1092 PN16



#	DN (mm)	Pmax (bar)	Pipe OD (mm)	D (mm)	d1 (mm)	d10 (mm)	r1 (mm)	k (mm)	Holes (no.)	d2 (mm)	b1 (mm)	Resin Type	Product Color	Article Number
22	150	10	180	284	185	182	5	240	8	22	32	Polyester	Black	BRPPE-150-185-10/16
23	150	16	160	284	178	175	5	240	8	22	40	Polyester	Black	BRPPE-150-178-16/16
24	150	16	180	284	185	182	5	240	8	22	40	Polyester	Black	BRPPE-150-185-16/16
25	200	10	200	342	235	232	6	295	12	22	38	Polyester	Black	BRPPE-200-235-10/16
26	200	10	225	342	238	237	6	295	12	22	38	Polyester	Black	BRPPE-200-238-10/16
27	200	16	200	342	235	232	6	295	12	22	48	Polyester	Black	BRPPE-200-235-16/16
28	200	16	225	342	238	237	6	295	12	22	48	Polyester	Black	BRPPE-200-238-16/16
29	250	10	250	405	288	285	6	355	12	26	42	Polyester	Black	BRPPE-250-288-10/16
30	250	10	280	405	294	293	6	355	12	26	42	Polyester	Black	BRPPE-250-294-10/16
31	250	16	250	405	288	285	6	355	12	26	54	Polyester	Black	BRPPE-250-288-16/16
32	250	16	280	405	294	293	6	355	12	26	54	Polyester	Black	BRPPE-250-294-16/16
33	300	10	315	458	338	335	6	410	12	26	48	Polyester	Black	BRPPE-300-338-10/16
34	350	10	355	540	358	355	6	470	16	26	42	Vinylester	Grey	BR-350-358-10/16
35	350	10	355	540	376	373	6	470	16	26	42	Vinylester	Grey	BR-350-376-10/16
36	350	16	355	540	358	355	6	470	16	26	52	Vinylester	Grey	BR-350-358-16/16
37	350	16	355	540	376	373	6	470	16	26	52	Vinylester	Grey	BR-350-376-16/16
38	400	10	400	600	404	400	6	525	16	30	44	Vinylester	Grey	BR-400-404-10/16
39	400	10	400	600	430	427	6	525	16	30	44	Vinylester	Grey	BR-400-430-10/16
40	400	16	400	600	404	400	6	525	16	30	54	Vinylester	Grey	BR-400-404-16/16
41	400	16	400	600	430	427	6	525	16	30	54	Vinylester	Grey	BR-400-430-16/16
42	450	10	450	644	454	450	6	585	20	30	54	Vinylester	Grey	BR-450-454-10/16

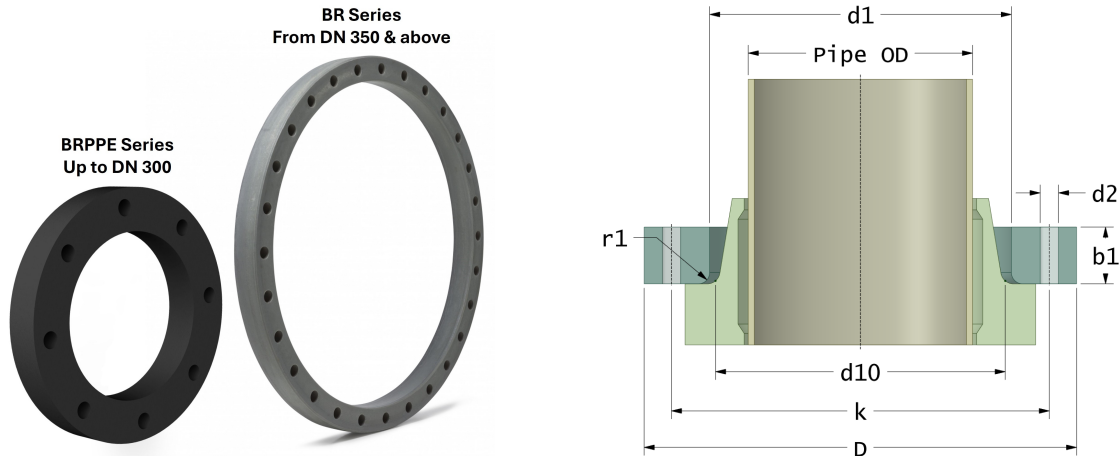
Disclaimer

Whilst every care is taken to ensure that the information on this website is complete and accurate, the Rotec Composite Group BV cannot accept responsibility for any omissions or inaccuracies or for any consequences arising therefrom. By using this website, the user accepts the terms of this disclaimer.

Overschuif Flenzen / Backing Ringen

Type BRPPE / passend op PE & PP kraagbus

Drilling Standard: EN1092 PN16



#	DN (mm)	Pmax (bar)	Pipe OD (mm)	D (mm)	d1 (mm)	d10 (mm)	r1 (mm)	k (mm)	Holes (no.)	d2 (mm)	b1 (mm)	Resin Type	Product Color	Article Number
43	450	10	450	644	465	460	6	585	20	30	54	Vinylester	Grey	BR-450-465-10/16
44	450	10	450	644	517	514	6	585	20	30	54	Vinylester	Grey	BR-450-517-10/16
45	450	16	450	644	454	450	6	585	20	30	66	Vinylester	Grey	BR-450-454-16/16
46	450	16	450	644	465	460	6	585	20	30	66	Vinylester	Grey	BR-450-465-16/16
47	450	16	450	644	517	514	6	585	20	30	66	Vinylester	Grey	BR-450-517-16/16
48	500	10	500	720	504	500	6	650	20	33	57	Vinylester	Grey	BR-500-504-10/16
49	500	10	500	720	533	530	6	650	20	33	57	Vinylester	Grey	BR-500-533-10/16
50	500	16	450	720	517	514	6	650	20	33	72	Vinylester	Grey	BR-500-517-16/16
51	500	16	500	720	504	500	6	650	20	33	72	Vinylester	Grey	BR-500-504-16/16
52	500	16	500	720	533	530	6	650	20	33	72	Vinylester	Grey	BR-500-533-16/16
53	600	10	560	844	618	615	7	770	20	36	62	Vinylester	Grey	BR-600-618-10/16
54	600	10	600	844	604	600	7	770	20	36	62	Vinylester	Grey	BR-600-604-10/16
55	600	10	630	844	648	644	7	770	20	36	62	Vinylester	Grey	BR-600-648-10/16
56	600	16	560	844	618	615	7	770	20	36	77	Vinylester	Grey	BR-600-618-16/16
57	600	16	600	844	604	600	7	770	20	36	77	Vinylester	Grey	BR-600-604-16/16
58	600	16	630	844	648	644	7	770	20	36	77	Vinylester	Grey	BR-600-648-16/16
59	700	10	710	910	725	710	7	840	24	36	67	Vinylester	Grey	BR-700-725-10/16
60	700	10	710	910	740	737	7	840	24	36	67	Vinylester	Grey	BR-700-740-10/16
61	700	16	630	910	645	642	7	840	24	36	82	Vinylester	Grey	BR-700-645-16/16
62	700	16	710	910	740	737	7	840	24	36	82	Vinylester	Grey	BR-700-740-16/16
63	800	10	800	1025	815	800	7	950	24	39	73	Vinylester	Grey	BR-800-815-10/16

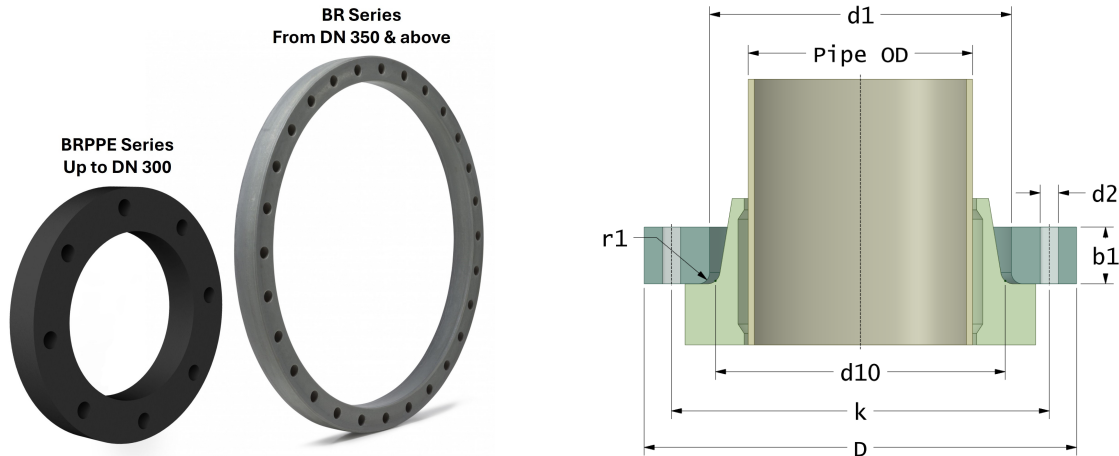
Disclaimer

Whilst every care is taken to ensure that the information on this website is complete and accurate, the Rotec Composite Group BV cannot accept responsibility for any omissions or inaccuracies or for any consequences arising therefrom. By using this website, the user accepts the terms of this disclaimer.

Overschuif Flenzen / Backing Ringen

Type BRPPE / passend op PE & PP kraagbus

Drilling Standard: EN1092 PN16



#	DN (mm)	Pmax (bar)	Pipe OD (mm)	D (mm)	d1 (mm)	d10 (mm)	r1 (mm)	k (mm)	Holes (no.)	d2 (mm)	b1 (mm)	Resin Type	Product Color	Article Number
64	800	10	800	1025	843	840	7	950	24	39	73	Vinylester	Grey	BR-800-843-10/16
65	800	16	800	1025	843	840	7	950	24	39	88	Vinylester	Grey	BR-800-843-16/16
66	900	6	900	1125	915	900	7	1050	28	39	62	Vinylester	Grey	BR-900-915-06/16
67	900	10	900	1125	915	900	7	1050	28	39	87	Vinylester	Grey	BR-900-915-10/16
68	900	10	900	1125	947	944	7	1050	28	39	87	Vinylester	Grey	BR-900-947-10/16
69	900	16	900	1125	947	944	7	1050	28	39	110	Vinylester	Grey	BR-900-947-16/16
70	1000	10	1000	1265	1015	1000	7	1170	28	42	90	Vinylester	Grey	BR-1000-1015-10/16
71	1000	10	1000	1265	1050	1047	7	1170	28	42	90	Vinylester	Grey	BR-1000-1050-10/16
72	1200	10	1200	1494	1215	1200	8	1390	32	48	100	Vinylester	Grey	BR-1200-1215-10/16
73	1200	10	1200	1494	1250	1245	8	1390	32	48	100	Vinylester	Grey	BR-1200-1250-10/16
74	1200	16	1200	1494	1250	1245	8	1390	32	48	117	Vinylester	Grey	BR-1200-1250-16/16

Disclaimer

Whilst every care is taken to ensure that the information on this website is complete and accurate, the Rotec Composite Group BV cannot accept responsibility for any omissions or inaccuracies or for any consequences arising therefrom. By using this website, the user accepts the terms of this disclaimer.