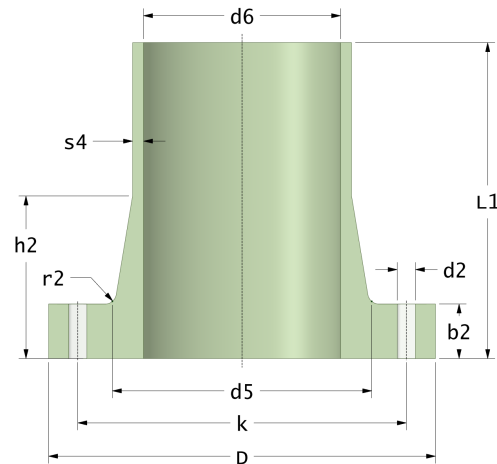


Rotec Flens Nozzles (Tubuleerde vaste flens)

Drilling Standard: ANSI B16.5 Class 150, Resin Type: Derakane 411



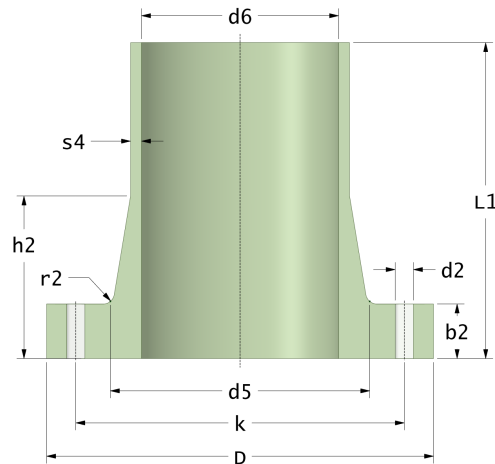
#	DN (mm)	Pmax (bar)	D (mm)	d6 (mm)	d5 (mm)	r2 (mm)	s4 (mm)	k (mm)	Holes (no.)	d2 (mm)	L1 (mm)	h2 (mm)	b2 (mm)	Article Number
1	15	16	98	15	35	1	4	61	4	16	200	25	12	TFS-15-200/150
2	20	16	98	20	42	1	4	70	4	16	200	25	13	TFS-20-200/150
3	25	16	116	25	50	1	4	79	4	16	250	30	14	TFS-25-250/150
4	32	16	116	32	62	1	5	89	4	16	250	35	15	TFS-32-250/150
5	40	16	150	40	68	1	5	98	4	16	300	40	16	TFS-40-300/150
6	50	16	164	50	82	1	5	121	4	19	300	40	18	TFS-50-300/150
7	50	16	164	50	82	1	5	121	4	19	600	40	18	TFS-50-600/150
8	65	16	184	65	95	1	5	140	4	19	300	50	20	TFS-65-300/150
9	80	16	200	80	111	2	6	152	4	19	300	50	22	TFS-80-300/150
10	80	16	200	80	111	2	6	152	4	19	600	50	22	TFS-80-600/150
11	100	16	228	100	133	2	6	190	8	19	300	55	25	TFS-100-300/150
12	100	16	228	100	133	2	6	190	8	19	600	55	25	TFS-100-600/150
13	125	16	254	125	160	2	6	216	8	22	300	65	27	TFS-125-300/150
14	125	16	254	125	160	2	6	216	8	22	600	65	27	TFS-125-600/150
15	150	16	284	150	188	3	6	241	8	22	300	70	30	TFS-150-300/150
16	150	16	284	150	188	3	6	241	8	22	600	70	30	TFS-150-600/150
17	200	10	342	200	237	4	6	298	8	22	360	85	25	TFS-200-360/150
18	200	10	342	200	237	4	6	298	8	22	600	85	25	TFS-200-600/150

Disclaimer

Whilst every care is taken to ensure that the information on this website is complete and accurate, the Rotec Composite Group BV cannot accept responsibility for any omissions or inaccuracies or for any consequences arising therefrom. By using this website, the user accepts the terms of this disclaimer.

Rotec Flens Nozzles (Tubuleerde vaste flens)

Drilling Standard: ANSI B16.5 Class 150, Resin Type: Derakane 411



#	DN (mm)	Pmax (bar)	D (mm)	d6 (mm)	d5 (mm)	r2 (mm)	s4 (mm)	k (mm)	Holes (no.)	d2 (mm)	L1 (mm)	h2 (mm)	b2 (mm)	Article Number
19	250	10	405	250	293	5	7	362	12	25	360	100	28	TFS-250-360/150
20	250	10	405	250	293	5	7	362	12	25	600	100	28	TFS-250-600/150
21	300	10	485	300	342	6	7	432	12	25	360	115	32	TFS-300-360/150
22	300	10	485	300	342	6	7	432	12	25	600	115	32	TFS-300-600/150
23	350	10	535	350	398	7	8	476	12	29	360	135	45	TFS-350-360/150
24	400	10	600	400	451	8	8	540	16	29	360	150	40	TFS-400-360/150
25	400	10	600	400	451	8	8	540	16	29	600	150	40	TFS-400-600/150
26	450	10	640	450	539	8	9	578	16	32	360	160	52	TFS-450-360/150
27	500	10	700	500	556	8	9	635	20	32	360	180	56	TFS-500-360/150
28	500	10	700	500	556	8	9	635	20	32	600	180	56	TFS-500-600/150
29	600	10	815	600	647	8	9	749	20	35	360	210	64	TFS-600-360/150
30	600	10	815	600	647	8	9	749	20	35	600	210	64	TFS-600-600/150

Disclaimer

Whilst every care is taken to ensure that the information on this website is complete and accurate, the Rotec Composite Group BV cannot accept responsibility for any omissions or inaccuracies or for any consequences arising therefrom. By using this website, the user accepts the terms of this disclaimer.