

Rotec Overschuif Flenzen

passend op GVK kraagbus Rotec

Drilling Standard: AWWA C207 Class B/D/E



| # | DN (mm) | Pmax (bar) | D (mm) | d1 (mm) | d10 (mm) | r1 (mm) | k (mm) | Holes (no.) | d2 (mm) | b1 (mm) | Article Number |
|----|------------|---------------|-----------|------------|-------------|------------|-----------|----------------|------------|------------|-------------------|
| 1 | 150 | 10 | 285 | 189 | 186 | 5 | 241 | 8 | 22 | 30 | BR-150-189-10/AW5 |
| 2 | 150 | 16 | 285 | 189 | 186 | 5 | 241 | 8 | 22 | 38 | BR-150-189-16/AW5 |
| 3 | 200 | 10 | 350 | 238 | 237 | 5 | 298 | 8 | 22 | 32 | BR-200-238-10/AW5 |
| 4 | 200 | 16 | 350 | 238 | 237 | 5 | 298 | 8 | 22 | 40 | BR-200-238-16/AW5 |
| 5 | 250 | 10 | 410 | 294 | 293 | 5 | 362 | 12 | 25 | 34 | BR-250-294-10/AW5 |
| 6 | 250 | 16 | 410 | 294 | 293 | 5 | 362 | 12 | 25 | 42 | BR-250-294-16/AW5 |
| 7 | 300 | 10 | 490 | 359 | 353 | 6 | 432 | 12 | 25 | 37 | BR-300-359-10/AW5 |
| 8 | 300 | 16 | 490 | 359 | 353 | 6 | 432 | 12 | 25 | 47 | BR-300-359-16/AW5 |
| 9 | 350 | 10 | 540 | 402 | 400 | 6 | 476 | 12 | 28 | 42 | BR-350-402-10/AW5 |
| 10 | 350 | 16 | 540 | 402 | 400 | 6 | 476 | 12 | 28 | 53 | BR-350-402-16/AW5 |
| 11 | 400 | 10 | 600 | 455 | 453 | 6 | 540 | 16 | 28 | 47 | BR-400-455-10/AW5 |
| 12 | 400 | 16 | 600 | 455 | 453 | 6 | 540 | 16 | 28 | 58 | BR-400-455-16/AW5 |
| 13 | 450 | 10 | 644 | 508 | 506 | 6 | 578 | 16 | 32 | 53 | BR-450-508-10/AW5 |
| 14 | 450 | 16 | 644 | 508 | 506 | 6 | 578 | 16 | 32 | 67 | BR-450-508-16/AW5 |
| 15 | 500 | 3 | 720 | 565 | 558 | 8 | 635 | 20 | 32 | 35 | BR-500-565-03/AW5 |
| 16 | 500 | 10 | 720 | 565 | 558 | 8 | 635 | 20 | 32 | 57 | BR-500-565-10/AW5 |

Disclaimer

Whilst every care is taken to ensure that the information on this website is complete and accurate, the Rotec Composite Group BV cannot accept responsibility for any omissions or inaccuracies or for any consequences arising therefrom. By using this website, the user accepts the terms of this disclaimer.

Rotec Overschuif Flenzen

passend op GVK kraagbus Rotec

Drilling Standard: AWWA C207 Class B/D/E



| # | DN (mm) | Pmax (bar) | D (mm) | d1 (mm) | d10 (mm) | r1 (mm) | k (mm) | Holes (no.) | d2 (mm) | b1 (mm) | Article Number |
|----|------------|---------------|-----------|------------|-------------|------------|-----------|----------------|------------|------------|-------------------|
| 17 | 500 | 16 | 720 | 565 | 558 | 8 | 635 | 20 | 32 | 72 | BR-500-565-16/AW5 |
| 18 | 600 | 3 | 844 | 653 | 649 | 9 | 749 | 20 | 35 | 34 | BR-600-653-03/AW5 |
| 19 | 600 | 10 | 844 | 653 | 649 | 9 | 749 | 20 | 35 | 62 | BR-600-653-10/AW5 |
| 20 | 600 | 16 | 844 | 653 | 649 | 9 | 749 | 20 | 35 | 78 | BR-600-653-16/AW5 |
| 21 | 630 | 3 | 844 | 668 | 649 | 8 | 749 | 20 | 35 | 34 | BR-630-668-03/AW5 |
| 22 | 630 | 10 | 844 | 668 | 649 | 8 | 749 | 20 | 35 | 62 | BR-630-668-10/AW5 |
| 23 | 630 | 16 | 844 | 668 | 649 | 8 | 749 | 20 | 35 | 78 | BR-630-668-16/AW5 |
| 24 | 700 | 3 | 950 | 762 | 758 | 7 | 864 | 28 | 35 | 36 | BR-700-762-03/AW5 |
| 25 | 700 | 10 | 950 | 762 | 758 | 7 | 864 | 28 | 35 | 64 | BR-700-762-10/AW5 |
| 26 | 700 | 16 | 950 | 762 | 758 | 7 | 864 | 28 | 35 | 82 | BR-700-762-16/AW5 |
| 27 | 800 | 3 | 1085 | 854 | 850 | 13 | 978 | 28 | 41 | 38 | BR-800-854-03/AW5 |
| 28 | 800 | 10 | 1085 | 854 | 850 | 13 | 978 | 28 | 41 | 70 | BR-800-854-10/AW5 |
| 29 | 800 | 16 | 1085 | 854 | 850 | 13 | 978 | 28 | 41 | 88 | BR-800-854-16/AW5 |
| 30 | 900 | 3 | 1190 | 956 | 952 | 13 | 1086 | 32 | 41 | 40 | BR-900-956-03/AW5 |
| 31 | 900 | 6 | 1190 | 956 | 952 | 13 | 1086 | 32 | 41 | 62 | BR-900-956-06/AW5 |
| 32 | 900 | 10 | 1190 | 956 | 952 | 13 | 1086 | 32 | 41 | 87 | BR-900-956-10/AW5 |
| 33 | 900 | 16 | 1190 | 956 | 952 | 13 | 1086 | 32 | 41 | 110 | BR-900-956-16/AW5 |

Disclaimer

Whilst every care is taken to ensure that the information on this website is complete and accurate, the Rotec Composite Group BV cannot accept responsibility for any omissions or inaccuracies or for any consequences arising therefrom. By using this website, the user accepts the terms of this disclaimer.

Rotec Overschuif Flenzen

passend op GVK kraagbus Rotec

Drilling Standard: AWWA C207 Class B/D/E



| # | DN (mm) | Pmax (bar) | D (mm) | d1 (mm) | d10 (mm) | r1 (mm) | k (mm) | Holes (no.) | d2 (mm) | b1 (mm) | Article Number |
|----|------------|---------------|-----------|------------|-------------|------------|-----------|----------------|------------|------------|---------------------|
| 34 | 1000 | 3 | 1320 | 1064 | 1060 | 13 | 1200 | 36 | 41 | 45 | BR-1000-1064-03/AW5 |
| 35 | 1000 | 6 | 1320 | 1064 | 1060 | 13 | 1200 | 36 | 41 | 65 | BR-1000-1064-06/AW5 |
| 36 | 1000 | 10 | 1320 | 1064 | 1060 | 13 | 1200 | 36 | 41 | 90 | BR-1000-1064-10/AW5 |
| 37 | 1000 | 16 | 1320 | 1064 | 1060 | 13 | 1200 | 36 | 41 | 131 | BR-1000-1064-16/AW5 |
| 38 | 1100 | 3 | 1430 | 1168 | 1158 | 9 | 1314 | 40 | 41 | 60 | BR-1100-1168-03/AW5 |
| 39 | 1100 | 3 | 1430 | 1198 | 1188 | 9 | 1314 | 40 | 41 | 60 | BR-1100-1198-03/AW5 |
| 40 | 1100 | 6 | 1430 | 1168 | 1158 | 9 | 1314 | 40 | 41 | 84 | BR-1100-1168-06/AW5 |
| 41 | 1100 | 6 | 1430 | 1198 | 1188 | 9 | 1314 | 40 | 41 | 84 | BR-1100-1198-06/AW5 |
| 42 | 1100 | 10 | 1430 | 1168 | 1158 | 9 | 1314 | 40 | 41 | 109 | BR-1100-1168-10/AW5 |
| 43 | 1100 | 10 | 1430 | 1198 | 1188 | 9 | 1314 | 40 | 41 | 117 | BR-1100-1198-10/AW5 |
| 44 | 1100 | 16 | 1430 | 1168 | 1158 | 9 | 1314 | 40 | 41 | 137 | BR-1100-1168-16/AW5 |
| 45 | 1100 | 16 | 1430 | 1198 | 1188 | 9 | 1314 | 40 | 41 | 140 | BR-1100-1198-16/AW5 |
| 46 | 1200 | 10 | 1540 | 1282 | 1278 | 11 | 1422 | 44 | 41 | 100 | BR-1200-1282-10/AW5 |
| 47 | 1200 | 16 | 1540 | 1282 | 1278 | 11 | 1422 | 44 | 41 | 152 | BR-1200-1282-16/AW5 |
| 48 | 1300 | 3 | 1660 | 1412 | 1402 | 10 | 1537 | 44 | 47 | 74 | BR-1300-1412-03/AW5 |
| 49 | 1300 | 6 | 1660 | 1412 | 1402 | 10 | 1537 | 44 | 47 | 105 | BR-1300-1412-06/AW5 |
| 50 | 1300 | 10 | 1660 | 1412 | 1402 | 10 | 1537 | 44 | 47 | 136 | BR-1300-1412-10/AW5 |

Disclaimer

Whilst every care is taken to ensure that the information on this website is complete and accurate, the Rotec Composite Group BV cannot accept responsibility for any omissions or inaccuracies or for any consequences arising therefrom. By using this website, the user accepts the terms of this disclaimer.

12-04-2024

Rotec Overschuif Flenzen

passend op GVK kraagbus Rotec

Drilling Standard: AWWA C207 Class B/D/E



| # | DN (mm) | Pmax (bar) | D (mm) | d1 (mm) | d10 (mm) | r1 (mm) | k (mm) | Holes (no.) | d2 (mm) | b1 (mm) | Article Number |
|----|------------|---------------|-----------|------------|-------------|------------|-----------|----------------|------------|------------|---------------------|
| 51 | 1300 | 16 | 1660 | 1412 | 1402 | 10 | 1537 | 44 | 47 | 165 | BR-1300-1412-16/AW5 |
| 52 | 1350 | 3 | 1720 | 1464 | 1454 | 11 | 1594 | 44 | 47 | 76 | BR-1350-1464-03/AW5 |
| 53 | 1350 | 6 | 1720 | 1464 | 1454 | 11 | 1594 | 44 | 47 | 76 | BR-1350-1464-06/AW5 |
| 54 | 1350 | 10 | 1720 | 1464 | 1454 | 11 | 1594 | 44 | 47 | 130 | BR-1350-1464-10/AW5 |
| 55 | 1350 | 16 | 1720 | 1464 | 1454 | 11 | 1594 | 44 | 47 | 170 | BR-1350-1464-16/AW5 |
| 56 | 1500 | 3 | 1890 | 1624 | 1614 | 12 | 1759 | 52 | 47 | 80 | BR-1500-1624-03/AW5 |
| 57 | 1500 | 6 | 1890 | 1624 | 1614 | 12 | 1759 | 52 | 47 | 115 | BR-1500-1624-06/AW5 |
| 58 | 1500 | 10 | 1890 | 1624 | 1614 | 12 | 1759 | 52 | 47 | 145 | BR-1500-1624-10/AW5 |
| 59 | 1500 | 16 | 1890 | 1624 | 1614 | 12 | 1759 | 52 | 47 | 186 | BR-1500-1624-16/AW5 |
| 60 | 1800 | 3 | 2230 | 1948 | 1938 | 15 | 2096 | 60 | 47 | 75 | BR-1800-1948-03/AW5 |
| 61 | 1800 | 6 | 2230 | 1948 | 1938 | 15 | 2096 | 60 | 47 | 100 | BR-1800-1948-06/AW5 |
| 62 | 1800 | 10 | 2230 | 1948 | 1938 | 15 | 2096 | 60 | 47 | 180 | BR-1800-1948-10/AW5 |
| 63 | 1800 | 16 | 2230 | 1948 | 1938 | 15 | 2096 | 60 | 47 | 230 | BR-1800-1948-16/AW5 |
| 64 | 2100 | 3 | 2570 | 2230 | 2220 | 13 | 2426 | 64 | 54 | 110 | BR-2100-2230-03/AW5 |
| 65 | 2100 | 6 | 2570 | 2230 | 2220 | 13 | 2426 | 64 | 54 | 155 | BR-2100-2230-06/AW5 |
| 66 | 2100 | 10 | 2570 | 2230 | 2220 | 13 | 2426 | 64 | 54 | 200 | BR-2100-2230-10/AW5 |
| 67 | 2400 | 3 | 2910 | 2548 | 2534 | 14 | 2756 | 68 | 62 | 130 | BR-2400-2548-03/AW5 |

Disclaimer

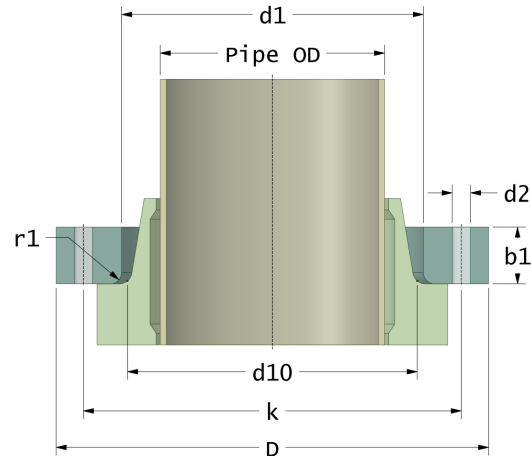
Whilst every care is taken to ensure that the information on this website is complete and accurate, the Rotec Composite Group BV cannot accept responsibility for any omissions or inaccuracies or for any consequences arising therefrom. By using this website, the user accepts the terms of this disclaimer.

12-04-2024

Rotec Overschuif Flenzen

passend op GVK kraagbus Rotec

Drilling Standard: AWWA C207 Class B/D/E



| # | DN (mm) | Pmax (bar) | D (mm) | d1 (mm) | d10 (mm) | r1 (mm) | k (mm) | Holes (no.) | d2 (mm) | b1 (mm) | Article Number |
|----|------------|---------------|-----------|------------|-------------|------------|-----------|----------------|------------|------------|---------------------|
| 68 | 2400 | 6 | 2910 | 2548 | 2534 | 14 | 2756 | 68 | 62 | 184 | BR-2400-2548-06/AW5 |
| 69 | 2400 | 10 | 2910 | 2548 | 2534 | 14 | 2756 | 68 | 62 | 230 | BR-2400-2548-10/AW5 |

Disclaimer

Whilst every care is taken to ensure that the information on this website is complete and accurate, the Rotec Composite Group BV cannot accept responsibility for any omissions or inaccuracies or for any consequences arising therefrom. By using this website, the user accepts the terms of this disclaimer.

12-04-2024