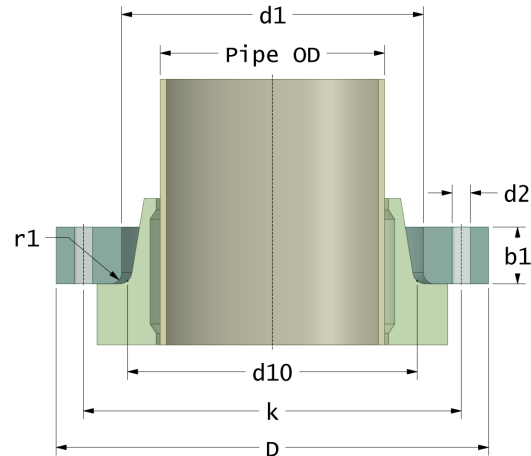


Rotec Anneaux de recouvrement FRP

Adapté pour bride à collerette PRV Rotec

Drilling Standard: ANSI B16.47 Class 300



#	DN (mm)	Pmax (bar)	D (mm)	d1 (mm)	d10 (mm)	r1 (mm)	k (mm)	Holes (no.)	d2 (mm)	b1 (mm)	Article Number
1	700	16	1035	783	775	10	940	28	44	82	BR-700-783-16/300
2	700	20	1035	783	775	10	940	28	44	108	BR-700-783-20/300
3	700	25	1035	783	775	10	940	28	44	113	BR-700-783-25/300
4	800	16	1150	892	884	11	1054	28	51	88	BR-800-892-16/300
5	800	20	1150	892	884	11	1054	28	51	115	BR-800-892-20/300
6	800	25	1150	892	884	11	1054	28	51	130	BR-800-892-25/300
7	900	16	1270	1003	995	11	1168	32	54	110	BR-900-1003-16/300
8	900	20	1270	1003	995	11	1168	32	54	126	BR-900-1003-20/300
9	900	25	1270	1003	995	11	1168	32	54	148	BR-900-1003-25/300

Disclaimer

Whilst every care is taken to ensure that the information on this website is complete and accurate, the Rotec Composite Group BV cannot accept responsibility for any omissions or inaccuracies or for any consequences arising therefrom. By using this website, the user accepts the terms of this disclaimer.

12-04-2024