

Anillos de recubrimiento FRP

Adecuado para brida de collar GRP Rotec

Drilling Standard: AWWA C207 Class B/D/E



| # | DN (mm) | Pmax (bar) | D (mm) | d1 (mm) | d10 (mm) | r1 (mm) | k (mm) | Holes (no.) | d2 (mm) | b1 (mm) | Resin Type | Product Color | Article Number |
|----|------------|---------------|-----------|------------|-------------|------------|-----------|----------------|------------|------------|------------|---------------|-------------------|
| 1 | 350 | 10 | 540 | 404 | 400 | 5 | 476 | 12 | 28 | 38 | Vinylester | Grey | BR-350-404-10/AW5 |
| 2 | 350 | 16 | 540 | 404 | 400 | 5 | 476 | 12 | 28 | 52 | Vinylester | Grey | BR-350-404-16/AW5 |
| 3 | 400 | 10 | 600 | 462 | 458 | 6 | 540 | 16 | 28 | 40 | Vinylester | Grey | BR-400-462-10/AW5 |
| 4 | 400 | 16 | 600 | 462 | 458 | 6 | 540 | 16 | 28 | 56 | Vinylester | Grey | BR-400-462-16/AW5 |
| 5 | 450 | 10 | 644 | 506 | 502 | 6 | 578 | 16 | 32 | 42 | Vinylester | Grey | BR-450-506-10/AW5 |
| 6 | 450 | 16 | 644 | 506 | 502 | 6 | 578 | 16 | 32 | 60 | Vinylester | Grey | BR-450-506-16/AW5 |
| 7 | 500 | 3 | 720 | 558 | 554 | 6 | 635 | 20 | 32 | 32 | Vinylester | Grey | BR-500-558-03/AW5 |
| 8 | 500 | 6 | 720 | 558 | 554 | 6 | 635 | 20 | 32 | 34 | Vinylester | Grey | BR-500-558-06/AW5 |
| 9 | 500 | 10 | 720 | 558 | 554 | 6 | 635 | 20 | 32 | 48 | Vinylester | Grey | BR-500-558-10/AW5 |
| 10 | 500 | 16 | 720 | 558 | 554 | 6 | 635 | 20 | 32 | 66 | Vinylester | Grey | BR-500-558-16/AW5 |
| 11 | 600 | 3 | 844 | 654 | 650 | 8 | 749 | 20 | 35 | 34 | Vinylester | Grey | BR-600-654-03/AW5 |
| 12 | 600 | 6 | 844 | 654 | 650 | 8 | 749 | 20 | 35 | 38 | Vinylester | Grey | BR-600-654-06/AW5 |
| 13 | 600 | 10 | 844 | 654 | 650 | 8 | 749 | 20 | 35 | 54 | Vinylester | Grey | BR-600-654-10/AW5 |
| 14 | 600 | 16 | 844 | 654 | 650 | 8 | 749 | 20 | 35 | 72 | Vinylester | Grey | BR-600-654-16/AW5 |
| 15 | 630 | 3 | 844 | 668 | 650 | 8 | 749 | 20 | 35 | 34 | Vinylester | Grey | BR-630-668-03/AW5 |
| 16 | 630 | 10 | 844 | 668 | 650 | 8 | 749 | 20 | 35 | 62 | Vinylester | Grey | BR-630-668-10/AW5 |
| 17 | 630 | 16 | 844 | 668 | 650 | 8 | 749 | 20 | 35 | 78 | Vinylester | Grey | BR-630-668-16/AW5 |
| 18 | 700 | 3 | 950 | 758 | 754 | 8 | 864 | 28 | 35 | 36 | Vinylester | Grey | BR-700-758-03/AW5 |
| 19 | 700 | 6 | 950 | 758 | 754 | 8 | 864 | 28 | 35 | 42 | Vinylester | Grey | BR-700-758-06/AW5 |

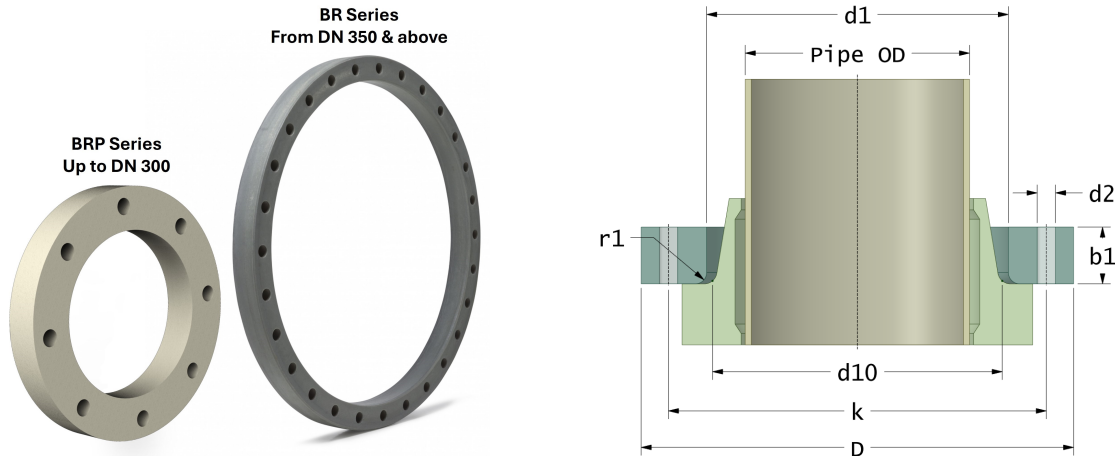
Disclaimer

Whilst every care is taken to ensure that the information on this website is complete and accurate, the Rotec Composite Group BV cannot accept responsibility for any omissions or inaccuracies or for any consequences arising therefrom. By using this website, the user accepts the terms of this disclaimer.

Anillos de recubrimiento FRP

Adecuado para brida de collar GRP Rotec

Drilling Standard: AWWA C207 Class B/D/E



| # | DN (mm) | Pmax (bar) | D (mm) | d1 (mm) | d10 (mm) | r1 (mm) | k (mm) | Holes (no.) | d2 (mm) | b1 (mm) | Resin Type | Product Color | Article Number |
|----|------------|---------------|-----------|------------|-------------|------------|-----------|----------------|------------|------------|------------|---------------|---------------------|
| 20 | 700 | 10 | 950 | 758 | 754 | 8 | 864 | 28 | 35 | 60 | Vinylester | Grey | BR-700-758-10/AW5 |
| 21 | 700 | 16 | 950 | 758 | 754 | 8 | 864 | 28 | 35 | 78 | Vinylester | Grey | BR-700-758-16/AW5 |
| 22 | 800 | 3 | 1085 | 864 | 860 | 9 | 978 | 28 | 41 | 38 | Vinylester | Grey | BR-800-864-03/AW5 |
| 23 | 800 | 6 | 1085 | 864 | 860 | 9 | 978 | 28 | 41 | 46 | Vinylester | Grey | BR-800-864-06/AW5 |
| 24 | 800 | 10 | 1085 | 864 | 860 | 9 | 978 | 28 | 41 | 66 | Vinylester | Grey | BR-800-864-10/AW5 |
| 25 | 800 | 16 | 1085 | 864 | 860 | 9 | 978 | 28 | 41 | 84 | Vinylester | Grey | BR-800-864-16/AW5 |
| 26 | 900 | 3 | 1190 | 974 | 970 | 9 | 1086 | 32 | 41 | 42 | Vinylester | Grey | BR-900-974-03/AW5 |
| 27 | 900 | 6 | 1190 | 974 | 970 | 9 | 1086 | 32 | 41 | 54 | Vinylester | Grey | BR-900-974-06/AW5 |
| 28 | 900 | 10 | 1190 | 974 | 970 | 9 | 1086 | 32 | 41 | 76 | Vinylester | Grey | BR-900-974-10/AW5 |
| 29 | 900 | 16 | 1190 | 974 | 970 | 9 | 1086 | 32 | 41 | 94 | Vinylester | Grey | BR-900-974-16/AW5 |
| 30 | 1000 | 3 | 1320 | 1069 | 1065 | 11 | 1200 | 36 | 41 | 46 | Vinylester | Grey | BR-1000-1064-03/AW5 |
| 31 | 1000 | 6 | 1320 | 1069 | 1065 | 11 | 1200 | 36 | 41 | 62 | Vinylester | Grey | BR-1000-1064-06/AW5 |
| 32 | 1000 | 10 | 1320 | 1069 | 1065 | 11 | 1200 | 36 | 41 | 86 | Vinylester | Grey | BR-1000-1064-10/AW5 |
| 33 | 1000 | 16 | 1320 | 1069 | 1065 | 11 | 1200 | 36 | 41 | 104 | Vinylester | Grey | BR-1000-1064-16/AW5 |
| 34 | 1100 | 3 | 1430 | 1168 | 1158 | 9 | 1314 | 40 | 41 | 60 | Vinylester | Grey | BR-1100-1168-03/AW5 |
| 35 | 1100 | 3 | 1430 | 1198 | 1188 | 9 | 1314 | 40 | 41 | 60 | Vinylester | Grey | BR-1100-1198-03/AW5 |
| 36 | 1100 | 6 | 1430 | 1168 | 1158 | 9 | 1314 | 40 | 41 | 84 | Vinylester | Grey | BR-1100-1168-06/AW5 |
| 37 | 1100 | 6 | 1430 | 1198 | 1188 | 9 | 1314 | 40 | 41 | 84 | Vinylester | Grey | BR-1100-1198-06/AW5 |
| 38 | 1100 | 10 | 1430 | 1168 | 1158 | 9 | 1314 | 40 | 41 | 109 | Vinylester | Grey | BR-1100-1168-10/AW5 |

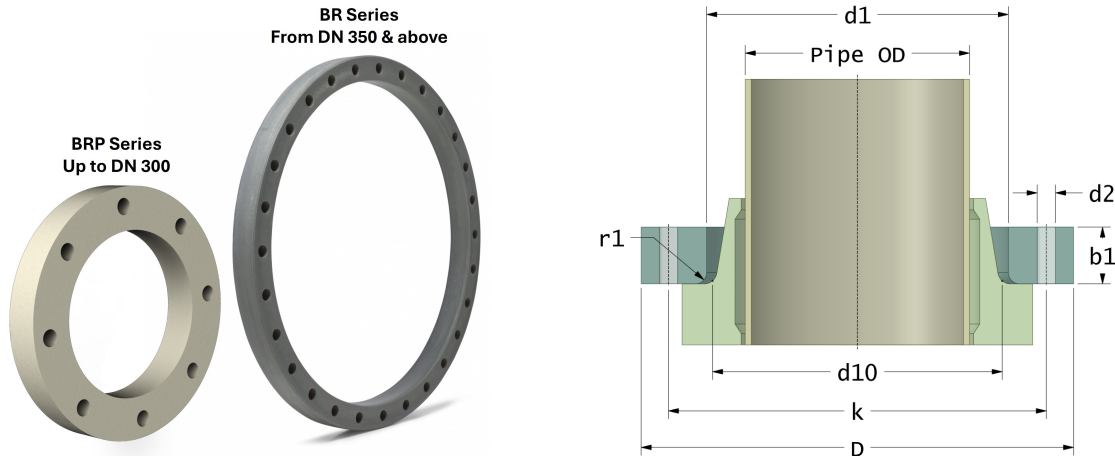
Disclaimer

Whilst every care is taken to ensure that the information on this website is complete and accurate, the Rotec Composite Group BV cannot accept responsibility for any omissions or inaccuracies or for any consequences arising therefrom. By using this website, the user accepts the terms of this disclaimer.

Anillos de recubrimiento FRP

Adecuado para brida de collar GRP Rotec

Drilling Standard: AWWA C207 Class B/D/E



| # | DN (mm) | Pmax (bar) | D (mm) | d1 (mm) | d10 (mm) | r1 (mm) | k (mm) | Holes (no.) | d2 (mm) | b1 (mm) | Resin Type | Product Color | Article Number |
|----|------------|---------------|-----------|------------|-------------|------------|-----------|----------------|------------|------------|------------|---------------|---------------------|
| 39 | 1100 | 10 | 1430 | 1198 | 1188 | 9 | 1314 | 40 | 41 | 117 | Vinylester | Grey | BR-1100-1198-10/AW5 |
| 40 | 1100 | 16 | 1430 | 1168 | 1158 | 9 | 1314 | 40 | 41 | 137 | Vinylester | Grey | BR-1100-1168-16/AW5 |
| 41 | 1100 | 16 | 1430 | 1198 | 1188 | 9 | 1314 | 40 | 41 | 140 | Vinylester | Grey | BR-1100-1198-16/AW5 |
| 42 | 1200 | 3 | 1540 | 1292 | 1286 | 10 | 1422 | 44 | 41 | 50 | Vinylester | Grey | BR-1200-1292-03/AW5 |
| 43 | 1200 | 6 | 1540 | 1292 | 1286 | 10 | 1422 | 44 | 41 | 70 | Vinylester | Grey | BR-1200-1292-06/AW5 |
| 44 | 1200 | 10 | 1540 | 1292 | 1286 | 10 | 1422 | 44 | 41 | 96 | Vinylester | Grey | BR-1200-1278-10/AW5 |
| 45 | 1200 | 16 | 1540 | 1292 | 1286 | 10 | 1422 | 44 | 41 | 114 | Vinylester | Grey | BR-1200-1278-16/AW5 |
| 46 | 1300 | 3 | 1660 | 1412 | 1402 | 10 | 1537 | 44 | 47 | 74 | Vinylester | Grey | BR-1300-1412-03/AW5 |
| 47 | 1300 | 6 | 1660 | 1412 | 1402 | 10 | 1537 | 44 | 47 | 105 | Vinylester | Grey | BR-1300-1412-06/AW5 |
| 48 | 1300 | 10 | 1660 | 1412 | 1402 | 10 | 1537 | 44 | 47 | 136 | Vinylester | Grey | BR-1300-1412-10/AW5 |
| 49 | 1300 | 16 | 1660 | 1412 | 1402 | 10 | 1537 | 44 | 47 | 165 | Vinylester | Grey | BR-1300-1412-16/AW5 |
| 50 | 1350 | 3 | 1720 | 1464 | 1454 | 11 | 1594 | 44 | 47 | 76 | Vinylester | Grey | BR-1350-1464-03/AW5 |
| 51 | 1350 | 6 | 1720 | 1464 | 1454 | 11 | 1594 | 44 | 47 | 76 | Vinylester | Grey | BR-1350-1464-06/AW5 |
| 52 | 1350 | 10 | 1720 | 1464 | 1454 | 11 | 1594 | 44 | 47 | 130 | Vinylester | Grey | BR-1350-1464-10/AW5 |
| 53 | 1350 | 16 | 1720 | 1464 | 1454 | 11 | 1594 | 44 | 47 | 170 | Vinylester | Grey | BR-1350-1464-16/AW5 |
| 54 | 1500 | 3 | 1890 | 1624 | 1614 | 12 | 1759 | 52 | 47 | 80 | Vinylester | Grey | BR-1500-1624-03/AW5 |
| 55 | 1500 | 6 | 1890 | 1624 | 1614 | 12 | 1759 | 52 | 47 | 115 | Vinylester | Grey | BR-1500-1624-06/AW5 |
| 56 | 1500 | 10 | 1890 | 1624 | 1614 | 12 | 1759 | 52 | 47 | 145 | Vinylester | Grey | BR-1500-1624-10/AW5 |
| 57 | 1500 | 16 | 1890 | 1624 | 1614 | 12 | 1759 | 52 | 47 | 186 | Vinylester | Grey | BR-1500-1624-16/AW5 |

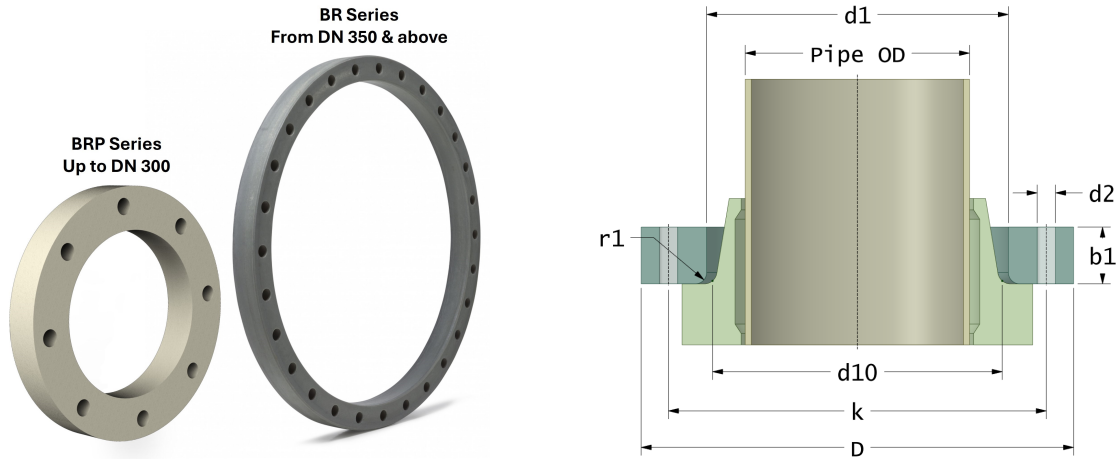
Disclaimer

Whilst every care is taken to ensure that the information on this website is complete and accurate, the Rotec Composite Group BV cannot accept responsibility for any omissions or inaccuracies or for any consequences arising therefrom. By using this website, the user accepts the terms of this disclaimer.

Anillos de recubrimiento FRP

Adecuado para brida de collar GRP Rotec

Drilling Standard: AWWA C207 Class B/D/E



| # | DN (mm) | Pmax (bar) | D (mm) | d1 (mm) | d10 (mm) | r1 (mm) | k (mm) | Holes (no.) | d2 (mm) | b1 (mm) | Resin Type | Product Color | Article Number |
|----|------------|---------------|-----------|------------|-------------|------------|-----------|----------------|------------|------------|------------|---------------|---------------------|
| 58 | 1800 | 3 | 2230 | 1927 | 1918 | 12 | 2096 | 60 | 47 | 62 | Vinylester | Grey | BR-1800-1927-03/AW5 |
| 59 | 1800 | 6 | 2230 | 1927 | 1918 | 12 | 2096 | 60 | 47 | 94 | Vinylester | Grey | BR-1800-1927-06/AW5 |
| 60 | 1800 | 10 | 2230 | 1927 | 1918 | 12 | 2096 | 60 | 47 | 126 | Vinylester | Grey | BR-1800-1927-10/AW5 |
| 61 | 1800 | 16 | 2230 | 1927 | 1918 | 12 | 2096 | 60 | 47 | 144 | Vinylester | Grey | BR-1800-1927-16/AW5 |
| 62 | 2100 | 3 | 2570 | 2230 | 2220 | 13 | 2426 | 64 | 54 | 110 | Vinylester | Grey | BR-2100-2230-03/AW5 |
| 63 | 2100 | 6 | 2570 | 2230 | 2220 | 13 | 2426 | 64 | 54 | 155 | Vinylester | Grey | BR-2100-2230-06/AW5 |
| 64 | 2100 | 10 | 2570 | 2230 | 2220 | 13 | 2426 | 64 | 54 | 200 | Vinylester | Grey | BR-2100-2230-10/AW5 |
| 65 | 2400 | 3 | 2910 | 2555 | 2543 | 13 | 2756 | 68 | 62 | 68 | Vinylester | Grey | BR-2400-2548-03/AW5 |
| 66 | 2400 | 6 | 2910 | 2555 | 2543 | 13 | 2756 | 68 | 62 | 103 | Vinylester | Grey | BR-2400-2548-06/AW5 |
| 67 | 2400 | 10 | 2910 | 2555 | 2543 | 13 | 2756 | 68 | 62 | 138 | Vinylester | Grey | BR-2400-2548-10/AW5 |

Disclaimer

Whilst every care is taken to ensure that the information on this website is complete and accurate, the Rotec Composite Group BV cannot accept responsibility for any omissions or inaccuracies or for any consequences arising therefrom. By using this website, the user accepts the terms of this disclaimer.