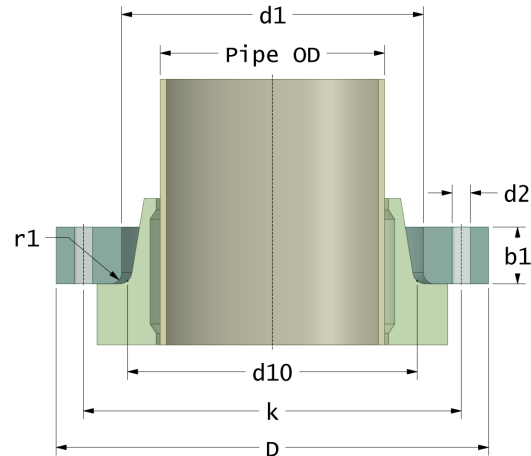


Rotec Anillos de recubrimiento FRP

Adecuado para brida de collar GRP Rotec

Drilling Standard: EN1092 PN16



#	DN (mm)	Pmax (bar)	D (mm)	d1 (mm)	d10 (mm)	r1 (mm)	k (mm)	Holes (no.)	d2 (mm)	b1 (mm)	Article Number
1	150	10	285	189	184	5	240	8	22	30	BR-150-189-10/16
2	150	16	285	189	184	5	240	8	22	38	BR-150-189-16/16
3	200	10	340	238	237	5	295	12	22	32	BR-200-238-10/16
4	200	16	340	238	237	5	295	12	22	40	BR-200-238-16/16
5	250	10	405	294	293	5	355	12	26	34	BR-250-294-10/16
6	250	16	405	294	293	5	355	12	26	42	BR-250-294-16/16
7	300	10	460	346	342	5	410	12	26	36	BR-300-346-10/16
8	300	16	460	346	342	5	410	12	26	45	BR-300-346-16/16
9	350	10	520	402	398	6	470	16	26	38	BR-350-402-10/16
10	350	16	520	402	398	6	470	16	26	48	BR-350-402-16/16
11	400	10	585	455	451	6	525	16	30	42	BR-400-455-10/16
12	400	16	585	455	451	6	525	16	30	54	BR-400-455-16/16
13	450	16	640	508	503	6	585	20	30	65	BR-450-508-16/16
14	500	10	715	560	556	6	650	20	33	55	BR-500-560-10/16
15	500	16	715	560	556	6	650	20	33	70	BR-500-560-16/16
16	600	10	840	668	664	7	770	20	36	62	BR-600-668-10/16

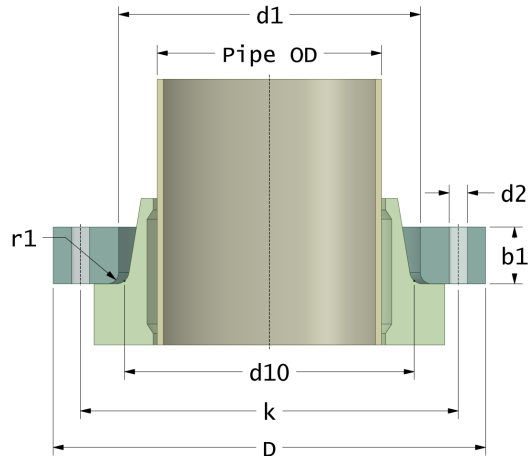
Disclaimer

Whilst every care is taken to ensure that the information on this website is complete and accurate, the Rotec Composite Group BV cannot accept responsibility for any omissions or inaccuracies or for any consequences arising therefrom. By using this website, the user accepts the terms of this disclaimer.

Rotec Anillos de recubrimiento FRP

Adecuado para brida de collar GRP Rotec

Drilling Standard: EN1092 PN16



#	DN (mm)	Pmax (bar)	D (mm)	d1 (mm)	d10 (mm)	r1 (mm)	k (mm)	Holes (no.)	d2 (mm)	b1 (mm)	Article Number
17	600	16	840	668	664	7	770	20	36	78	BR-600-668-16/16
18	700	10	910	762	756	7	840	24	36	64	BR-700-762-10/16
19	700	16	910	762	756	7	840	24	36	82	BR-700-762-16/16
20	800	10	1025	867	861	7	950	24	39	70	BR-800-867-10/16
21	800	16	1025	867	861	7	950	24	39	88	BR-800-867-16/16
22	900	10	1125	973	967	7	1050	28	39	82	BR-900-973-10/16
23	900	16	1125	973	967	7	1050	28	39	110	BR-900-973-16/16
24	1000	10	1255	1076	1070	7	1170	28	42	87	BR-1000-1076-10/16
25	1200	10	1484	1284	1278	8	1390	32	48	90	BR-1200-1284-10/16
26	1400	10	1685	1492	1486	8	1590	36	48	112	BR-1400-1492-10/16
27	1600	10	1930	1704	1696	8	1820	40	56	160	BR-1600-1704-10/16

Disclaimer

Whilst every care is taken to ensure that the information on this website is complete and accurate, the Rotec Composite Group BV cannot accept responsibility for any omissions or inaccuracies or for any consequences arising therefrom. By using this website, the user accepts the terms of this disclaimer.

12-04-2024