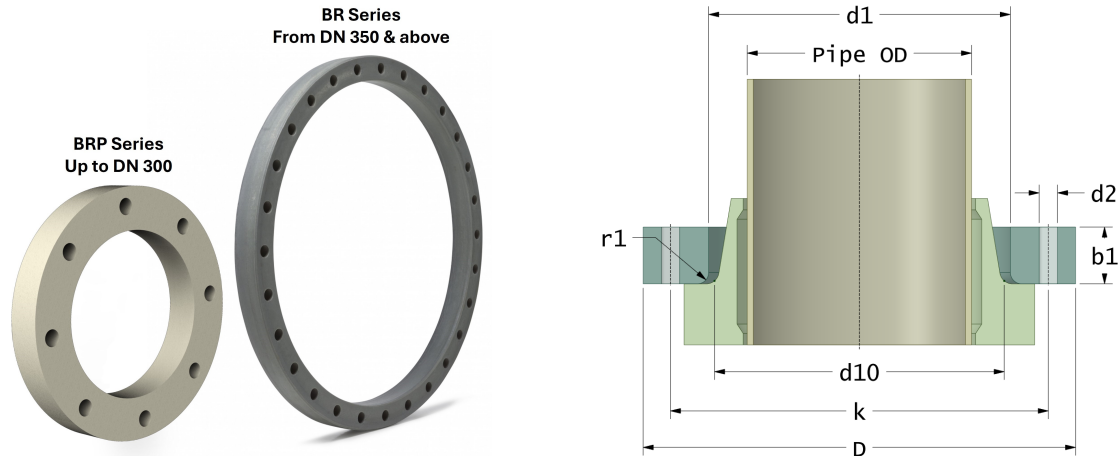


Backing Rings (Loose Flanges)

Type BRP and BR / suitable for GRP Stub Flange (type TSS/TSC & SF Rotec)

Drilling Standard: EN1092 PN40



#	DN (mm)	Pmax (bar)	D (mm)	d1 (mm)	d10 (mm)	r1 (mm)	k (mm)	Holes (no.)	d2 (mm)	b1 (mm)	Resin Type	Product Color	Article Number
1	350	32	585	410	406	5	510	16	36	75	Vinylester	Grey	BR-350-410-32/40
2	400	32	660	472	468	6	585	16	39	80	Vinylester	Grey	BR-400-472-32/40
3	450	32	710	514	510	6	610	20	39	85	Vinylester	Grey	BR-450-514-32/40

Disclaimer

Whilst every care is taken to ensure that the information on this website is complete and accurate, the Rotec Composite Group BV cannot accept responsibility for any omissions or inaccuracies or for any consequences arising therefrom. By using this website, the user accepts the terms of this disclaimer.