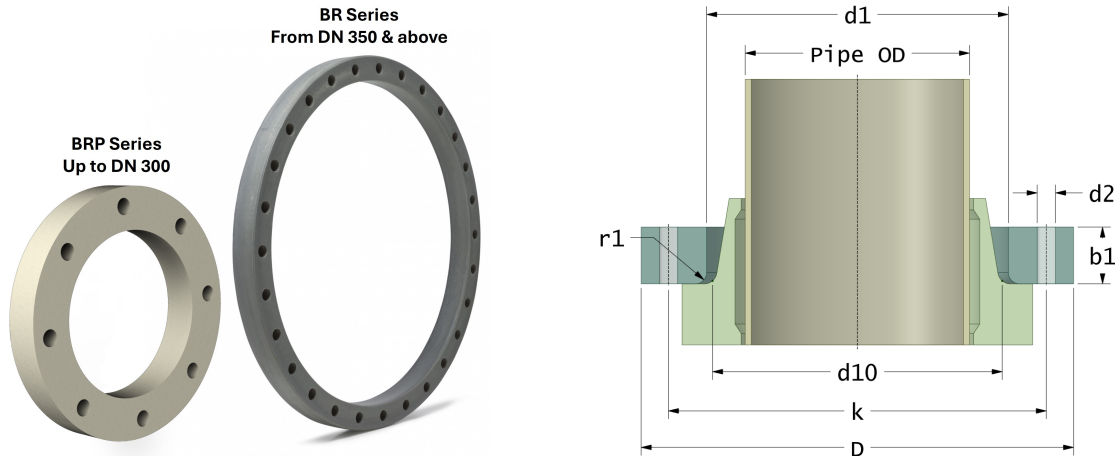


Backing Rings (Loose Flanges)

Type BRP and BR / suitable for GRP Stub Flange (type TSS/TSC & SF Rotec)

Drilling Standard: EN1092 PN25



#	DN (mm)	Pmax (bar)	D (mm)	d1 (mm)	d10 (mm)	r1 (mm)	k (mm)	Holes (no.)	d2 (mm)	b1 (mm)	Resin Type	Product Color	Article Number
1	350	20	585	410	406	5	490	16	33	58	Vinylester	Grey	BR-350-410-20/25
2	350	25	585	410	406	5	490	16	33	66	Vinylester	Grey	BR-350-410-25/25
3	400	20	640	462	458	6	550	16	36	62	Vinylester	Grey	BR-400-462-20/25
4	400	25	640	462	458	6	550	16	36	70	Vinylester	Grey	BR-400-462-25/25
5	450	20	680	514	510	6	600	20	36	66	Vinylester	Grey	BR-450-514-20/25
6	450	25	710	514	510	6	600	20	36	74	Vinylester	Grey	BR-450-514-25/25
7	500	20	735	568	564	6	660	20	36	72	Vinylester	Grey	BR-500-568-20/25
8	500	25	735	574	570	8	660	20	36	82	Vinylester	Grey	BR-500-574-25/25
9	600	20	850	664	660	8	770	20	39	78	Vinylester	Grey	BR-600-664-20/25
10	600	25	850	664	660	8	770	20	39	90	Vinylester	Grey	BR-600-664-25/25
11	630	20	850	687	681	8	770	20	39	89	Vinylester	Grey	BR-630-687-20/25
12	630	25	850	687	681	8	770	20	39	97	Vinylester	Grey	BR-630-687-25/25
13	700	20	960	764	760	8	875	24	42	84	Vinylester	Grey	BR-700-764-20/25
14	700	25	960	764	760	8	875	24	42	98	Vinylester	Grey	BR-700-764-25/25
15	800	20	1085	878	874	9	990	24	48	90	Vinylester	Grey	BR-800-878-20/25
16	800	25	1085	878	874	9	990	24	48	106	Vinylester	Grey	BR-800-878-25/25
17	900	20	1200	974	970	9	1090	28	48	100	Vinylester	Grey	BR-900-974-20/25
18	900	25	1200	974	970	9	1090	28	48	118	Vinylester	Grey	BR-900-974-25/25

Disclaimer

Whilst every care is taken to ensure that the information on this website is complete and accurate, the Rotec Composite Group BV cannot accept responsibility for any omissions or inaccuracies or for any consequences arising therefrom. By using this website, the user accepts the terms of this disclaimer.