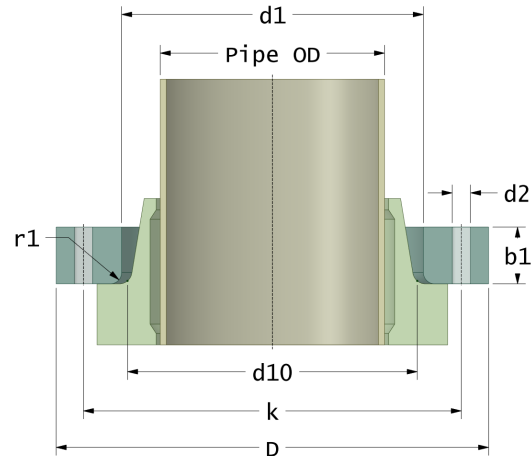


Rotec Backing Rings (According to DIN 16966-T6)

Drilling Standard: ANSI B16.5 Class 150



#	DN (mm)	Pmax (bar)	D (mm)	d1 (mm)	r1 (mm)	b1 (mm)	Holes (no.)	d2 (mm)	k (mm)	Article Number
1	200	6	342	238	6	35	8	22	298	BRP-200-238-06/150
2	250	6	405	294	6	35	12	26	362	BRP-250-294-06/150
3	300	6	485	344	6	42	12	26	432	BRP-300-344-06/150
4	350	6	540	388	7	42	12	29	476	BR-350-388-06/150
5	400	6	600	442	7	44	16	29	540	BR-400-442-06/150
6	500	6	720	545	7	57	20	32	635	BR-500-545-06/150
7	600	3	844	650	8	62	20	32	749	BR-600-650-03/150

Disclaimer

Whilst every care is taken to ensure that the information on this website is complete and accurate, the Rotec Composite Group BV cannot accept responsibility for any omissions or inaccuracies or for any consequences arising therefrom. By using this website, the user accepts the terms of this disclaimer.

05-09-2024