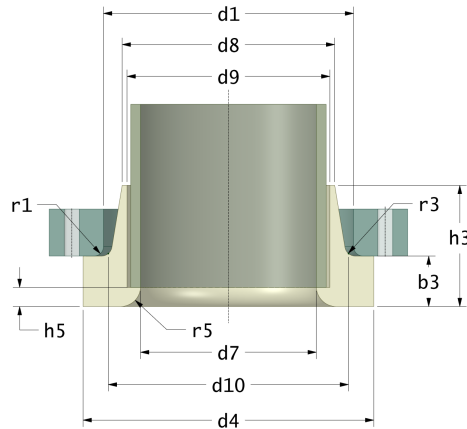


# Rotec Stub Flanges (SFP for GRP Pipes)

Drilling Standard: EN1092 PN16



DN (mm)	Pmax (bar)	d4 (mm)	d7 (mm)	d9 (mm)	d8 (mm)	d1 (mm)	d10 (mm)	r1 (mm)	r3 (mm)	h5 (mm)	r5 (mm)	h3 (mm)	b3 (mm)	Article Number
25	16	68	25	30	38	51	50	3	2	4	2	32	14	SFP-25-25-68-
32	16	78	32	38	53	59	58	3	3	4	3	33	15	SFP-32-32-78-
40	16	88	40	46	60	69	68	3	3	4	3	40	16	SFP-40-40-88-
50	16	102	50	56	65	83	82	4	3	6	3	49	18	SFP-50-50-102
65	16	122	65	70	79	96	95	4	3	6	4	47	18	SFP-65-65-122
80	10	138	80	86	96	112	111	4	3	6	4	48	16	SFP-80-80-138
80	16	138	80	86	96	112	111	4	3	6	4	54	22	SFP-80-80-138
100	10	158	100	107	118	134	133	5	4	8	4	55	18	SFP-100-100-15
100	16	158	100	107	118	134	133	5	4	8	4	62	25	SFP-100-100-15
125	16	188	125	133	142	161	160	5	4	8	4	72	28	SFP-125-125-18
125	16	188	125	130	142	161	160	5	4	8	4	72	28	SFP-125-126-18
150	10	212	150	159	173	189	188	5	4	8	4	71	22	SFP-150-150-21
150	10	212	160	171	180	189	188	5	4	8	4	75	26	SFP-150-161-21
150	16	212	150	159	173	189	188	5	4	8	4	81	32	SFP-150-150-21
150	16	212	160	171	180	189	188	5	4	8	4	75	26	SFP-150-161-21
200	6	268	200	207	220	238	237	6	5	8	4	85	25	SFP-200-200-26

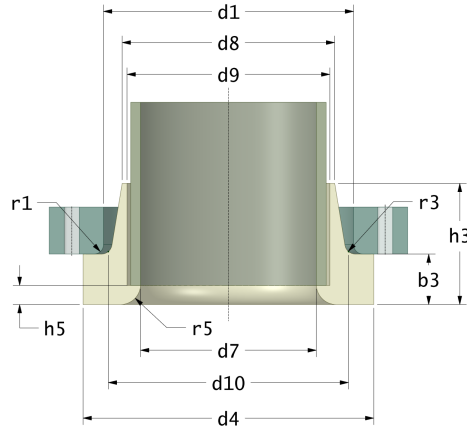
## Disclaimer

Whilst every care is taken to ensure that the information on this website is complete and accurate, the Rotec Composite Group BV cannot accept responsibility for any omissions or inaccuracies or for any consequences arising therefrom. By using this website, the user accepts the terms of this disclaimer.

23-10-2022

## Rotec Stub Flanges (SFP for GRP Pipes)

Drilling Standard: EN1092 PN16



DN (mm)	Pmax (bar)	d4 (mm)	d7 (mm)	d9 (mm)	d8 (mm)	d1 (mm)	d10 (mm)	r1 (mm)	r3 (mm)	h5 (mm)	r5 (mm)	h3 (mm)	b3 (mm)	Article Number
200	10	268	200	207	220	238	237	6	5	8	4	92	32	SFP-200-200-26
200	10	268	212	222	228	238	237	6	5	8	4	80	30	SFP-200-212-26
200	16	268	212	222	228	238	237	6	5	8	4	90	40	SFP-200-212-26
250	6	320	250	258	270	294	293	6	5	8	4	101	28	SFP-250-250-32
250	10	320	250	258	270	294	293	6	5	8	4	111	38	SFP-250-250-32
250	10	320	262	274	282	294	293	6	5	8	4	111	38	SFP-250-262-32
250	16	320	252	262	282	294	293	6	5	8	4	103	48	SFP-250-252-32
250	16	320	262	274	282	294	293	6	5	8	4	103	48	SFP-250-262-32
300	6	376	300	309	323	348	343	6	5	8	4	117	30	SFP-300-300-37
300	10	376	300	314	323	348	343	6	5	8	4	127	40	SFP-300-300-37
300	10	376	313	326	336	348	343	6	5	8	4	100	40	SFP-300-313-37
300	16	376	313	326	336	348	343	6	5	8	4	115	55	SFP-300-313-37

### Disclaimer

Whilst every care is taken to ensure that the information on this website is complete and accurate, the Rotec Composite Group BV cannot accept responsibility for any omissions or inaccuracies or for any consequences arising therefrom. By using this website, the user accepts the terms of this disclaimer.

23-10-2022