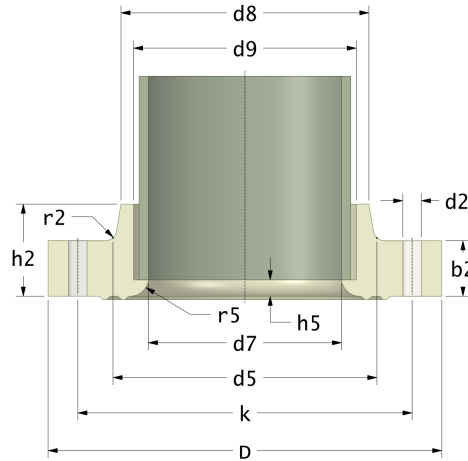


Rotec Fixed Flanges (Block Flange)

Drilling Standard: EN1092 PN16



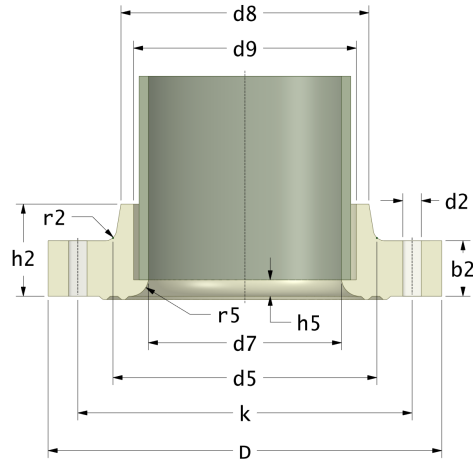
DN (mm)	Pmax (bar)	D (mm)	d7 (mm)	d9 (mm)	d8 (mm)	d5 (mm)	r2 (mm)	r5 (mm)	h5 (mm)	k (mm)	Holes (no.)	d2 (mm)	h2 (mm)	b2 (mm)	Article Number
25	16	116	26	30	45	47	4	3	6	85	4	14	30	30	FFP-25-30-16/
32	16	140	33	38	67	69	4	3	6	100	4	18	30	30	FFP-32-38-16/
40	16	154	41	46	75	77	5	3	6	110	4	18	30	30	FFP-40-46-16/
50	16	164	51	56	85	87	5	3	6	125	4	18	35	35	FFP-50-56-16/
65	16	184	66	72	100	102	5	3	6	145	4	18	35	35	FFP-65-72-16/
80	16	200	81	88	118	122	6	3	6	160	8	18	38	38	FFP-80-88-16/
80	16	200	92	99	118	122	6	3	6	160	8	18	38	38	FFP-80-99-16/
100	16	228	101	108	138	142	6	3	6	180	8	18	42	42	FFP-100-108-16/
100	16	228	112	119	138	142	6	3	6	180	8	18	42	42	FFP-100-119-16/
125	16	254	126	134	160	167	8	3	6	210	8	18	46	46	FFP-125-134-16/
125	16	254	138	146	160	167	8	3	6	210	8	18	46	46	FFP-125-146-16/
150	10	284	151	160	180	188	8	3	10	240	8	22	48	40	FFP-150-160-10/
150	10	284	162	171	180	188	8	3	10	240	8	22	48	40	FFP-150-171-10/
150	16	284	151	160	180	188	8	3	10	240	8	22	60	52	FFP-150-160-16/
150	16	284	162	171	180	188	8	3	10	240	8	22	60	52	FFP-150-171-16/
200	10	342	202	212	234	248	8	3	10	295	12	22	52	42	FFP-200-212-10/
200	10	342	212	222	234	248	8	3	10	295	12	22	52	42	FFP-200-222-10/
200	16	342	202	212	234	248	8	3	10	295	12	22	66	56	FFP-200-212-16/

Disclaimer

Whilst every care is taken to ensure that the information on this website is complete and accurate, the Rotec Composite Group BV cannot accept responsibility for any omissions or inaccuracies or for any consequences arising therefrom. By using this website, the user accepts the terms of this disclaimer.

Rotec Fixed Flanges (Block Flange)

Drilling Standard: EN1092 PN16



DN (mm)	Pmax (bar)	D (mm)	d7 (mm)	d9 (mm)	d8 (mm)	d5 (mm)	r2 (mm)	r5 (mm)	h5 (mm)	k (mm)	Holes (no.)	d2 (mm)	h2 (mm)	b2 (mm)	Article Number
200	16	342	212	222	234	248	8	3	10	295	12	22	66	56	FFP-200-222-16
250	10	405	252	262	288	300	10	3	10	355	12	26	58	45	FFP-250-262-10
250	10	405	262	274	288	300	10	3	10	355	12	26	58	45	FFP-250-274-10
300	10	458	302	314	334	344	10	3	10	410	12	26	65	48	FFP-300-314-10
300	10	458	313	326	334	344	10	3	10	410	12	26	65	48	FFP-300-326-10

Disclaimer

Whilst every care is taken to ensure that the information on this website is complete and accurate, the Rotec Composite Group BV cannot accept responsibility for any omissions or inaccuracies or for any consequences arising therefrom. By using this website, the user accepts the terms of this disclaimer.

25-01-2023