

Rotec Backing Rings (Backing Ring for PE & PP Pipes)

Drilling Standard: EN1092 PN10



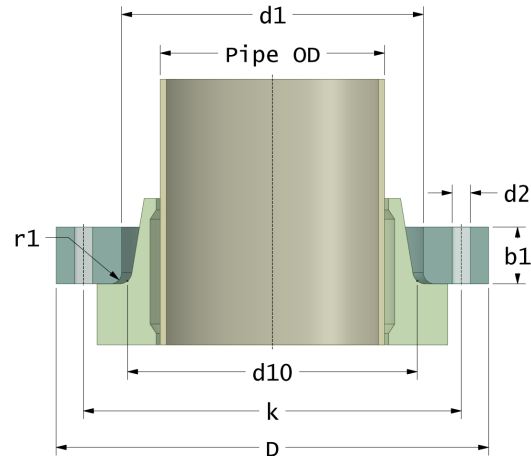
#	DN (mm)	Pmax (bar)	Pipe OD (mm)	D (mm)	d1 (mm)	d10 (mm)	r1 (mm)	k (mm)	Holes (no.)	d2 (mm)	b1 (mm)	Article Number
1	200	10	200	342	235	232	5	295	8	22	32	BR-200-235-10/10
2	200	10	225	342	238	237	5	295	8	22	32	BR-200-238-10/10
3	250	10	250	405	288	285	5	350	12	22	35	BR-250-288-10/10
4	250	10	280	405	294	293	5	350	12	22	35	BR-250-294-10/10
5	300	10	315	458	338	335	5	400	12	22	39	BR-300-338-10/10
6	350	10	355	510	358	355	6	460	16	22	42	BR-350-358-10/10
7	350	10	355	510	376	373	6	460	16	22	42	BR-350-376-10/10
8	400	10	400	570	404	400	6	515	16	26	44	BR-400-404-10/10
9	400	10	400	570	430	427	6	515	16	26	44	BR-400-430-10/10
10	450	10	450	620	454	450	6	565	20	26	54	BR-450-454-10/10
11	500	10	450	674	517	514	6	620	20	26	57	BR-500-517-10/10
12	500	10	500	674	504	500	6	620	20	26	57	BR-500-504-10/10
13	500	10	500	674	533	530	6	620	20	26	57	BR-500-533-10/10
14	600	3	560	784	618	615	7	725	20	30	34	BR-600-618-03/10
15	600	3	600	784	604	600	7	725	20	30	34	BR-600-604-03/10
16	600	3	630	784	648	644	7	725	20	30	34	BR-600-648-03/10

Disclaimer

Whilst every care is taken to ensure that the information on this website is complete and accurate, the Rotec Composite Group BV cannot accept responsibility for any omissions or inaccuracies or for any consequences arising therefrom. By using this website, the user accepts the terms of this disclaimer.

Rotec Backing Rings (Backing Ring for PE & PP Pipes)

Drilling Standard: EN1092 PN10



#	DN (mm)	Pmax (bar)	Pipe OD (mm)	D (mm)	d1 (mm)	d10 (mm)	r1 (mm)	k (mm)	Holes (no.)	d2 (mm)	b1 (mm)	Article Number
17	600	10	560	784	618	615	7	725	20	30	62	BR-600-618-10/10
18	600	10	600	784	604	600	7	725	20	30	62	BR-600-604-10/10
19	600	10	630	784	648	644	7	725	20	30	64	BR-600-648-10/10
20	700	3	710	910	725	710	7	840	24	30	36	BR-700-725-03/10
21	700	3	710	910	740	737	7	840	24	30	36	BR-700-740-03/10
22	700	10	630	910	645	642	7	840	24	30	67	BR-700-645-10/10
23	700	10	710	910	725	710	7	840	24	30	67	BR-700-725-10/10
24	700	10	710	910	740	737	7	840	24	30	67	BR-700-740-10/10
25	800	3	800	1025	815	800	7	950	24	33	38	BR-800-815-03/10
26	800	3	800	1025	843	840	7	950	24	33	38	BR-800-843-03/10
27	800	10	800	1025	815	800	7	950	24	33	73	BR-800-815-10/10
28	800	10	800	1025	843	840	7	950	24	33	73	BR-800-843-10/10
29	900	3	900	1125	915	900	7	1050	28	33	42	BR-900-915-03/10
30	900	3	900	1125	947	944	7	1050	28	33	42	BR-900-947-03/10
31	900	6	900	1125	915	900	7	1050	28	33	62	BR-900-915-06/10
32	900	6	900	1125	947	944	7	1050	28	33	62	BR-900-947-06/10
33	900	10	900	1125	915	900	7	1050	28	33	87	BR-900-915-10/10

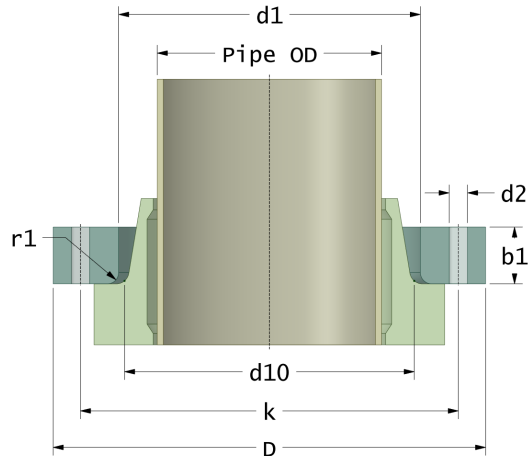
Disclaimer

Whilst every care is taken to ensure that the information on this website is complete and accurate, the Rotec Composite Group BV cannot accept responsibility for any omissions or inaccuracies or for any consequences arising therefrom. By using this website, the user accepts the terms of this disclaimer.

23-10-2022

Rotec Backing Rings (Backing Ring for PE & PP Pipes)

Drilling Standard: EN1092 PN10



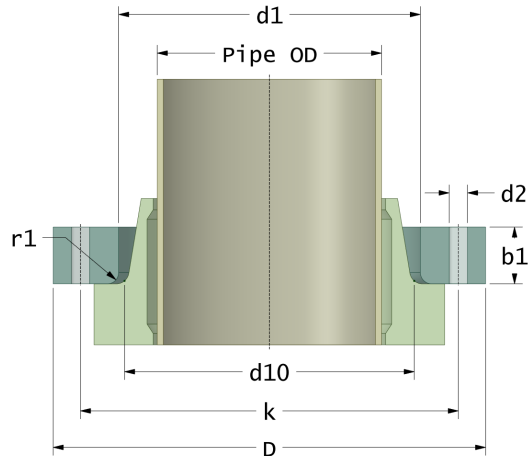
#	DN (mm)	Pmax (bar)	Pipe OD (mm)	D (mm)	d1 (mm)	d10 (mm)	r1 (mm)	k (mm)	Holes (no.)	d2 (mm)	b1 (mm)	Article Number
34	900	10	900	1125	947	944	7	1050	28	33	87	BR-900-947-10/10
35	1000	3	1000	1234	1015	1000	7	1160	28	36	45	BR-1000-1015-03/10
36	1000	3	1000	1234	1050	1047	7	1160	28	36	45	BR-1000-1050-03/10
37	1000	6	1000	1234	1015	1000	7	1160	28	36	65	BR-1000-1015-06/10
38	1000	6	1000	1234	1050	1047	7	1160	28	36	65	BR-1000-1050-06/10
39	1000	10	1000	1234	1015	1000	7	1160	28	36	90	BR-1000-1015-10/10
40	1000	10	1000	1234	1050	1047	7	1160	28	36	90	BR-1000-1050-10/10
41	1200	3	1200	1470	1215	1200	8	1380	32	39	55	BR-1200-1215-03/10
42	1200	3	1200	1470	1250	1245	8	1380	32	39	55	BR-1200-1250-03/10
43	1200	6	1200	1470	1215	1200	8	1380	32	39	70	BR-1200-1215-06/10
44	1200	6	1200	1470	1250	1245	8	1380	32	39	70	BR-1200-1250-06/10
45	1200	10	1200	1470	1215	1200	8	1380	32	39	100	BR-1200-1215-10/10
46	1200	10	1200	1470	1250	1245	8	1380	32	39	100	BR-1200-1250-10/10
47	1400	3	1400	1700	1450	1400	8	1590	36	42	60	BR-1400-1450-03/10
48	1400	6	1400	1700	1450	1400	8	1590	36	42	80	BR-1400-1450-06/10
49	1400	10	1400	1700	1450	1400	8	1590	36	42	105	BR-1400-1450-10/10
50	1600	3	1600	1950	1650	1600	9	1820	40	48	70	BR-1600-1650-03/10

Disclaimer

Whilst every care is taken to ensure that the information on this website is complete and accurate, the Rotec Composite Group BV cannot accept responsibility for any omissions or inaccuracies or for any consequences arising therefrom. By using this website, the user accepts the terms of this disclaimer.

Rotec Backing Rings (Backing Ring for PE & PP Pipes)

Drilling Standard: EN1092 PN10



#	DN (mm)	Pmax (bar)	Pipe OD (mm)	D (mm)	d1 (mm)	d10 (mm)	r1 (mm)	k (mm)	Holes (no.)	d2 (mm)	b1 (mm)	Article Number
51	1600	6	1600	1950	1650	1600	9	1820	40	48	90	BR-1600-1650-06/10
52	1800	3	1800	2150	1860	1800	9	2020	44	48	75	BR-1800-1860-03/10
53	1800	6	1800	2150	1860	1800	9	2020	44	48	100	BR-1800-1860-06/10
54	2000	3	2000	2360	2060	2000	10	2230	48	48	80	BR-2000-2060-03/10
55	2000	6	2000	2360	2060	2000	10	2230	48	48	110	BR-2000-2060-06/10
56	2200	3	2200	2580	2260	2200	10	2440	52	56	90	BR-2200-2260-03/10
57	2200	6	2200	2580	2260	2200	10	2440	52	56	122	BR-2200-2260-06/10
58	2400	3	2400	2780	2460	2400	12	2650	56	56	95	BR-2400-2460-03/10
59	2400	6	2400	2780	2460	2400	12	2650	56	56	130	BR-2400-2460-06/10

Disclaimer

Whilst every care is taken to ensure that the information on this website is complete and accurate, the Rotec Composite Group BV cannot accept responsibility for any omissions or inaccuracies or for any consequences arising therefrom. By using this website, the user accepts the terms of this disclaimer.

23-10-2022