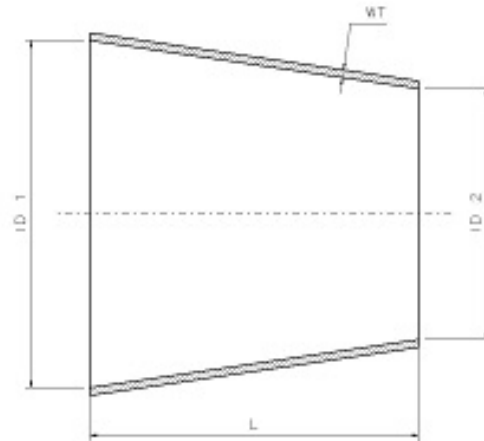


Rotec Reducers

All Products



#	DN1 (mm)	DN2 (mm)	Pmax. (bar)	Overall Length (mm)	Wall Thickness (mm)	Article number
1	32	25	16	40	5	ROS-32-25-16/PE
2	40	25	16	60	5	ROS-40-25-16/PE
3	40	32	16	20	5	ROS-40-32-16/PE
4	50	25	16	60	5	ROS-50-25-16/PE
5	50	32	16	20	5	ROS-50-32-16/PE
6	50	40	16	20	5	ROS-50-40-16/PE
7	80	25	16	130	5	ROS-80-25-16/PE
8	80	32	16	90	5	ROS-80-32-16/PE
9	80	40	16	90	5	ROS-80-40-16/PE
10	80	50	16	70	5	ROS-80-50-16/PE
11	80	65	16	40	5	ROS-80-65-16/PE
12	100	25	16	180	5	ROS-100-25-16/PE
13	100	32	16	140	5	ROS-100-32-16/PE
14	100	40	16	140	5	ROS-100-40-16/PE
15	100	50	16	120	5	ROS-100-50-16/PE
16	100	65	16	90	5	ROS-100-65-16/PE

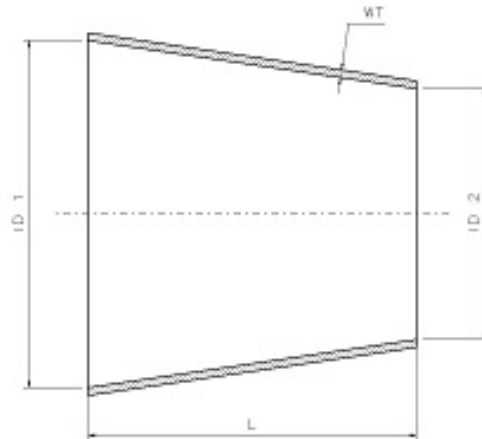
Disclaimer

Whilst every care is taken to ensure that the information on this website is complete and accurate, the Rotec Composite Group BV cannot accept responsibility for any omissions or inaccuracies or for any consequences arising therefrom. By using this website, the user accepts the terms of this disclaimer.

23-10-2022

Rotec Reducers

All Products



#	DN1 (mm)	DN2 (mm)	Pmax. (bar)	Overall Length (mm)	Wall Thickness (mm)	Article number
17	100	80	16	50	5	ROS-100-80-16/PE
18	125	50	16	180	5	ROS-125-50-16/PE
19	125	65	16	150	5	ROS-125-65-16/PE
20	125	80	16	110	5	ROS-125-80-16/PE
21	125	100	16	60	5	ROS-125-100-16/PE
22	150	50	16	240	5	ROS-150-50-16/PE
23	150	65	16	210	5	ROS-150-65-16/PE
24	150	80	16	170	5	ROS-150-80-16/PE
25	150	100	16	120	5	ROS-150-100-16/PE
26	150	125	16	60	5	ROS-150-125-16/PE
27	200	80	16	290	6	ROS-200-80-16/PE
28	200	100	16	240	6	ROS-200-100-16/PE
29	200	125	16	180	6	ROS-200-125-16/PE
30	200	150	16	120	6	ROS-200-150-16/PE
31	250	150	10	240	6	ROS -250-150-10/PE
32	250	200	10	120	6	ROS-250-200-10/PE
33	300	150	10	360	6	ROS-300-150-10/PE

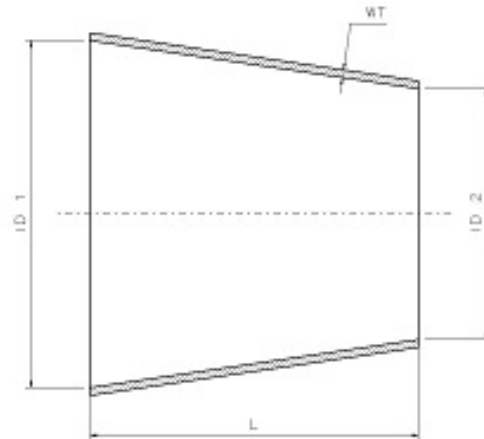
Disclaimer

Whilst every care is taken to ensure that the information on this website is complete and accurate, the Rotec Composite Group BV cannot accept responsibility for any omissions or inaccuracies or for any consequences arising therefrom. By using this website, the user accepts the terms of this disclaimer.

23-10-2022

Rotec Reducers

All Products



#	DN1 (mm)	DN2 (mm)	Pmax. (bar)	Overall Length (mm)	Wall Thickness (mm)	Article number
34	300	200	10	240	6	ROS-300-200-10/PE
35	300	250	10	120	6	ROS-300-250-10/PE
36	350	200	10	360	7	ROS-350-200-10/PE
37	350	250	10	240	7	ROS-350-250-10/PE
38	350	300	10	120	7	ROS-350-300-10/PE
39	400	200	10	480	7	ROS-400-200-10/PE
40	400	250	10	360	8	ROS-400-250-10/PE
41	400	300	10	240	8	ROS-400-300-10/PE
42	400	350	10	120	8	ROS-400-350-10/PE

Disclaimer

Whilst every care is taken to ensure that the information on this website is complete and accurate, the Rotec Composite Group BV cannot accept responsibility for any omissions or inaccuracies or for any consequences arising therefrom. By using this website, the user accepts the terms of this disclaimer.

23-10-2022