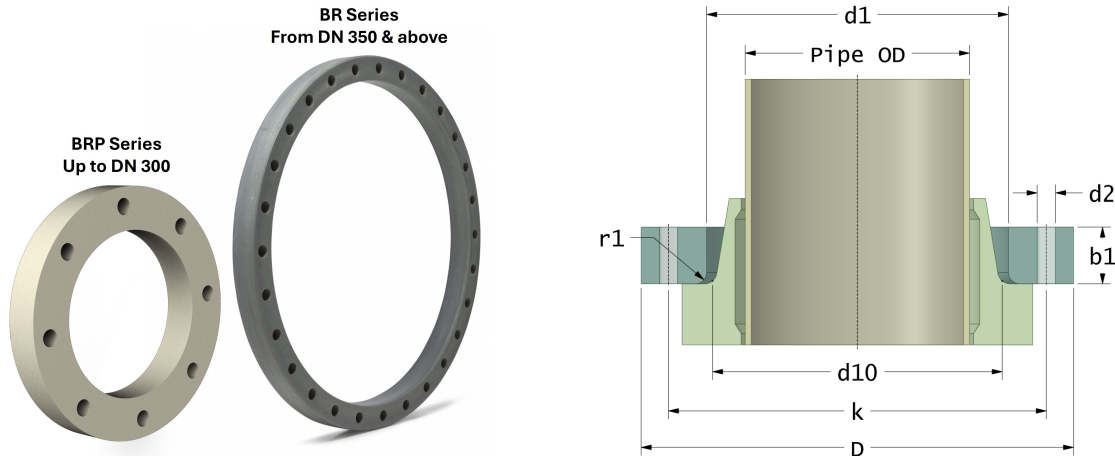


Losflansche (Loser Flansche)

Typ BRP and BR / geeignet für GFK Bund (Typ TSS/TSC & SF Rotec)

Drilling Standard: ANSI B16.5 Class 300



DN (mm)	Pmax (bar)	D (mm)	d1 (mm)	d10 (mm)	r1 (mm)	k (mm)	Holes (no.)	d2 (mm)	b1 (mm)	Resin Type	Product Color	Article Number
350	16	585	410	406	5	514	20	32	52	Vinylester	Grey	BR-350-410-16/
350	20	585	410	406	5	514	20	32	58	Vinylester	Grey	BR-350-410-20/
350	25	585	410	406	5	514	20	32	66	Vinylester	Grey	BR-350-410-25/
400	16	660	472	468	6	572	20	35	56	Vinylester	Grey	BR-400-472-16/
400	20	660	472	468	6	572	20	35	62	Vinylester	Grey	BR-400-472-20/
400	25	660	472	468	6	572	20	35	70	Vinylester	Grey	BR-400-472-25/
450	16	710	514	510	6	629	24	35	66	Vinylester	Grey	BR-450-514-16/
450	20	710	514	510	6	629	24	35	60	Vinylester	Grey	BR-450-514-20/
450	25	710	514	510	6	629	24	35	74	Vinylester	Grey	BR-450-514-25/
500	16	775	568	564	6	686	24	35	66	Vinylester	Grey	BR-500-568-16/
500	20	775	568	564	6	686	24	35	72	Vinylester	Grey	BR-500-568-20/
500	25	775	574	570	8	686	24	35	82	Vinylester	Grey	BR-500-574-25/
630	16	915	702	696	8	813	24	41	78	Vinylester	Grey	BR-630-702-16/
630	20	915	702	696	8	813	24	41	89	Vinylester	Grey	BR-630-702-20/
630	25	915	702	696	8	813	24	41	97	Vinylester	Grey	BR-630-702-25/

Disclaimer

Whilst every care is taken to ensure that the information on this website is complete and accurate, the Rotec Composite Group BV cannot accept responsibility for any omissions or inaccuracies or for any consequences arising therefrom. By using this website, the user accepts the terms of this disclaimer.