

Losflansche (Loser Flansche)

Typ BRP and BR / geeignet für GFK Bund (Typ TSS/TSC & SF Rotec)

Drilling Standard: ANSI B16.47 Class 150



#	DN (mm)	Pmax (bar)	D (mm)	d1 (mm)	d10 (mm)	r1 (mm)	k (mm)	Holes (no.)	d2 (mm)	b1 (mm)	Resin Type	Product Color	Article Number
1	700	3	950	758	754	8	864	28	35	36	Vinylester	Grey	BR-700-758-03/150
2	700	6	950	758	754	8	864	28	35	42	Vinylester	Grey	BR-700-758-06/150
3	700	10	950	758	754	8	864	28	35	60	Vinylester	Grey	BR-700-758-10/150
4	700	16	950	758	754	8	864	28	35	78	Vinylester	Grey	BR-700-758-16/150
5	800	3	1085	864	860	9	978	28	41	38	Vinylester	Grey	BR-800-864-03/150
6	800	6	1085	864	860	9	978	28	41	46	Vinylester	Grey	BR-800-864-06/150
7	800	10	1085	864	860	9	978	28	41	66	Vinylester	Grey	BR-800-864-10/150
8	800	16	1085	864	860	9	978	28	41	84	Vinylester	Grey	BR-800-864-16/150
9	900	3	1190	974	970	9	1086	32	41	42	Vinylester	Grey	BR-900-974-03/150
10	900	6	1190	974	970	9	1086	32	41	54	Vinylester	Grey	BR-900-974-06/150
11	900	10	1190	974	970	9	1086	32	41	76	Vinylester	Grey	BR-900-974-10/150
12	900	16	1190	974	970	9	1086	32	41	94	Vinylester	Grey	BR-900-974-16/150
13	1000	3	1320	1069	1065	11	1200	36	41	46	Vinylester	Grey	BR-1000-1064-03/150
14	1000	6	1320	1069	1065	11	1200	36	41	62	Vinylester	Grey	BR-1000-1064-06/150
15	1000	10	1320	1069	1065	11	1200	36	41	86	Vinylester	Grey	BR-1000-1064-10/150
16	1000	16	1320	1069	1065	11	1200	36	41	104	Vinylester	Grey	BR-1000-1064-16/150
17	1100	3	1430	1168	1158	9	1314	40	41	60	Vinylester	Grey	BR-1100-1168-03/150
18	1100	3	1430	1198	1188	9	1314	40	41	60	Vinylester	Grey	BR-1100-1198-03/150
19	1100	6	1430	1168	1158	9	1314	40	41	84	Vinylester	Grey	BR-1100-1168-06/150

Disclaimer

Whilst every care is taken to ensure that the information on this website is complete and accurate, the Rotec Composite Group BV cannot accept responsibility for any omissions or inaccuracies or for any consequences arising therefrom. By using this website, the user accepts the terms of this disclaimer.

Losflansche (Loser Flansche)

Typ BRP and BR / geeignet für GFK Bund (Typ TSS/TSC & SF Rotec)

Drilling Standard: ANSI B16.47 Class 150



#	DN (mm)	Pmax (bar)	D (mm)	d1 (mm)	d10 (mm)	r1 (mm)	k (mm)	Holes (no.)	d2 (mm)	b1 (mm)	Resin Type	Product Color	Article Number
20	1100	6	1430	1198	1188	9	1314	40	41	84	Vinylester	Grey	BR-1100-1198-06/150
21	1100	10	1430	1168	1158	9	1314	40	41	109	Vinylester	Grey	BR-1100-1168-10/150
22	1100	10	1430	1198	1188	9	1314	40	41	117	Vinylester	Grey	BR-1100-1198-10/150
23	1100	16	1430	1168	1158	9	1314	40	41	137	Vinylester	Grey	BR-1100-1168-16/150
24	1100	16	1430	1198	1188	9	1314	40	41	140	Vinylester	Grey	BR-1100-1198-16/150
25	1200	3	1540	1292	1286	10	1422	44	41	50	Vinylester	Grey	BR-1200-1292-03/150
26	1200	6	1540	1292	1286	10	1422	44	41	70	Vinylester	Grey	BR-1200-1292-06/150
27	1200	10	1540	1292	1286	10	1422	44	41	96	Vinylester	Grey	BR-1200-1278-10/150
28	1200	16	1540	1292	1286	10	1422	44	41	114	Vinylester	Grey	BR-1200-1278-16/150
29	1300	3	1660	1412	1402	10	1537	44	48	74	Vinylester	Grey	BR-1300-1412-03/150
30	1300	6	1660	1412	1402	10	1537	44	48	105	Vinylester	Grey	BR-1300-1412-06/150
31	1300	10	1660	1412	1402	10	1537	44	48	136	Vinylester	Grey	BR-1300-1412-10/150
32	1300	16	1660	1412	1402	10	1537	44	48	165	Vinylester	Grey	BR-1300-1412-16/150
33	1400	3	1780	1503	1496	10	1651	48	48	54	Vinylester	Grey	BR-1400-1503-03/150
34	1400	6	1780	1503	1496	10	1651	48	48	78	Vinylester	Grey	BR-1400-1503-06/150
35	1400	10	1780	1503	1496	10	1651	48	48	106	Vinylester	Grey	BR-1400-1503-10/150
36	1400	16	1780	1503	1496	10	1651	48	48	124	Vinylester	Grey	BR-1400-1503-16/150
37	1500	3	1890	1624	1614	12	1759	52	48	80	Vinylester	Grey	BR-1500-1624-03/150
38	1500	6	1890	1624	1614	12	1759	52	48	115	Vinylester	Grey	BR-1500-1624-06/150

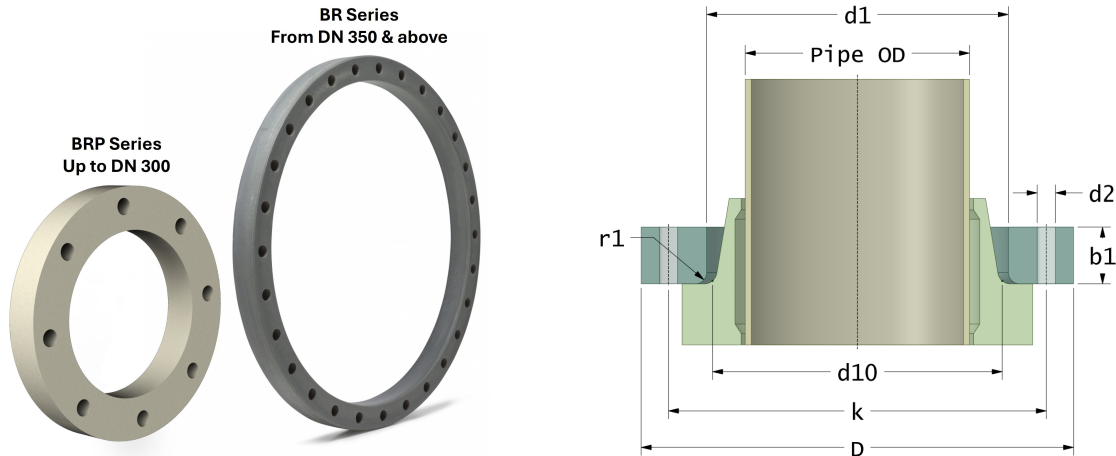
Disclaimer

Whilst every care is taken to ensure that the information on this website is complete and accurate, the Rotec Composite Group BV cannot accept responsibility for any omissions or inaccuracies or for any consequences arising therefrom. By using this website, the user accepts the terms of this disclaimer.

Losflansche (Loser Flansche)

Typ BRP and BR / geeignet für GFK Bund (Typ TSS/TSC & SF Rotec)

Drilling Standard: ANSI B16.47 Class 150



#	DN (mm)	Pmax (bar)	D (mm)	d1 (mm)	d10 (mm)	r1 (mm)	k (mm)	Holes (no.)	d2 (mm)	b1 (mm)	Resin Type	Product Color	Article Number
39	1500	10	1890	1624	1614	12	1759	52	48	145	Vinylester	Grey	BR-1500-1624-10/150
40	1500	16	1890	1624	1614	12	1759	52	48	186	Vinylester	Grey	BR-1500-1624-16/150

Disclaimer

Whilst every care is taken to ensure that the information on this website is complete and accurate, the Rotec Composite Group BV cannot accept responsibility for any omissions or inaccuracies or for any consequences arising therefrom. By using this website, the user accepts the terms of this disclaimer.