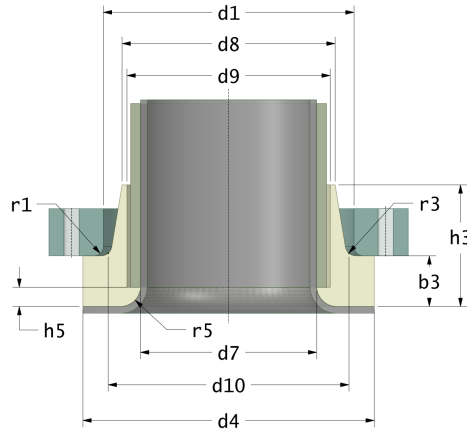
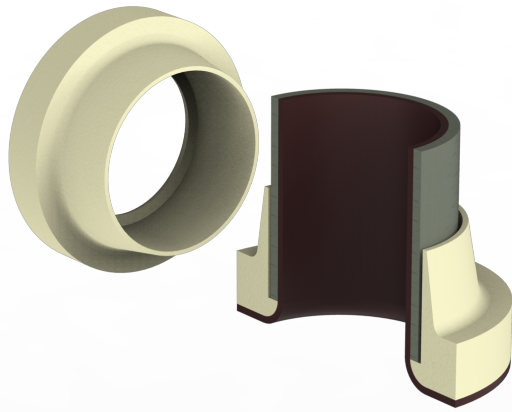


Rotec Bunde (SFP für dual-laminierte Rohre)

Drilling Standard: EN1092 PN10



| # | DN (mm) | Pmax (bar) | d4 (mm) | d7 (mm) | d9 (mm) | d8 (mm) | d1 (mm) | d10 (mm) | r1 (mm) | r3 (mm) | h5 (mm) | r5 (mm) | h3 (mm) | b3 (mm) | Article Number |
|----|------------|---------------|------------|------------|------------|------------|------------|-------------|------------|------------|------------|------------|------------|------------|--------------------|
| 1 | 25 | 16 | 68 | 32 | 38 | 44 | 51 | 50 | 3 | 2 | 4 | 3 | 30 | 12 | SFP-25-32-68-16 |
| 2 | 32 | 16 | 78 | 40 | 46 | 50 | 55 | 54 | 3 | 3 | 4 | 3 | 32 | 14 | SFP-32-40-78-16 |
| 3 | 40 | 16 | 88 | 50 | 56 | 62 | 69 | 68 | 3 | 3 | 4 | 3 | 35 | 14 | SFP-40-50-88-16 |
| 4 | 50 | 16 | 102 | 63 | 69 | 76 | 83 | 82 | 3 | 3 | 6 | 4 | 40 | 14 | SFP-50-63-102-16 |
| 5 | 65 | 16 | 122 | 75 | 81 | 88 | 96 | 95 | 4 | 3 | 6 | 4 | 50 | 18 | SFP-65-75-122-16 |
| 6 | 80 | 16 | 138 | 90 | 96 | 105 | 112 | 111 | 4 | 3 | 6 | 4 | 55 | 23 | SFP-80-90-138-16 |
| 7 | 100 | 16 | 158 | 110 | 116 | 126 | 134 | 133 | 5 | 4 | 8 | 4 | 62 | 25 | SFP-100-110-158-16 |
| 8 | 125 | 10 | 188 | 125 | 134 | 144 | 161 | 160 | 5 | 4 | 8 | 4 | 64 | 20 | SFP-125-125-188-10 |
| 9 | 150 | 10 | 212 | 160 | 166 | 180 | 189 | 188 | 5 | 4 | 8 | 4 | 71 | 22 | SFP-151-160-212-10 |
| 10 | 150 | 16 | 212 | 160 | 167 | 180 | 189 | 188 | 5 | 4 | 8 | 4 | 81 | 32 | SFP-151-160-212-16 |
| 11 | 200 | 10 | 268 | 200 | 206 | 220 | 238 | 237 | 6 | 5 | 8 | 4 | 89 | 29 | SFP-201-200-268-10 |
| 12 | 200 | 16 | 268 | 200 | 208 | 220 | 238 | 237 | 6 | 5 | 8 | 4 | 95 | 35 | SFP-201-200-268-16 |
| 13 | 250 | 6 | 320 | 250 | 256 | 271 | 294 | 293 | 6 | 5 | 8 | 4 | 101 | 28 | SFP-251-250-320-06 |
| 14 | 300 | 6 | 376 | 300 | 306 | 326 | 344 | 343 | 6 | 5 | 8 | 4 | 116 | 30 | SFP-301-300-376-06 |
| 15 | 300 | 10 | 376 | 300 | 308 | 326 | 344 | 343 | 6 | 5 | 8 | 4 | 126 | 40 | SFP-301-300-376-10 |

Disclaimer

Whilst every care is taken to ensure that the information on this website is complete and accurate, the Rotec Composite Group BV cannot accept responsibility for any omissions or inaccuracies or for any consequences arising therefrom. By using this website, the user accepts the terms of this disclaimer.