

Rotec Losflansche (Stützring für GFK-Rohre)

Drilling Standard: AS 2129 Table F



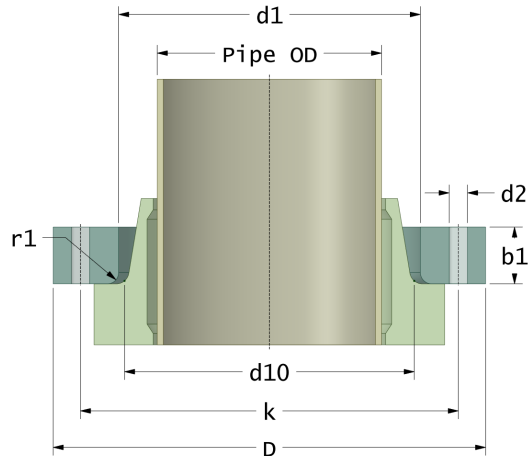
#	DN (mm)	Pmax (bar)	D (mm)	d1 (mm)	d10 (mm)	r1 (mm)	k (mm)	Holes (no.)	d2 (mm)	b1 (mm)	Article Number
1	150	20	305	193	190	6	260	12	22	43	BR-150-193-20/AS-F
2	150	25	305	193	190	6	260	12	22	46	BR-150-193-25/AS-F
3	150	32	305	193	190	6	260	12	22	50	BR-150-193-32/AS-F
4	200	20	380	250	246	6	324	12	22	45	BR-200-250-20/AS-F
5	200	25	380	250	246	6	324	12	22	48	BR-200-250-25/AS-F
6	200	32	380	250	246	6	324	12	22	52	BR-200-250-32/AS-F
7	250	20	430	304	300	6	381	12	26	45	BR-250-304-20/AS-F
8	250	25	430	304	300	6	381	12	26	48	BR-250-304-25/AS-F
9	250	32	430	304	300	6	381	12	26	55	BR-250-304-32/AS-F
10	300	20	490	364	358	7	438	16	26	52	BR-300-364-20/AS-F
11	300	25	490	364	358	7	438	16	26	53	BR-300-364-25/AS-F
12	300	32	540	364	358	7	438	16	26	60	BR-300-364-32/AS-F
13	350	20	585	414	408	8	495	16	30	56	BR-350-414-20/AS-F
14	350	25	585	414	408	8	495	16	30	62	BR-350-414-25/AS-F
15	350	32	585	422	416	9	495	16	30	70	BR-350-422-32/AS-F
16	400	20	640	469	463	9	552	20	30	65	BR-400-469-20/AS-F

Disclaimer

Whilst every care is taken to ensure that the information on this website is complete and accurate, the Rotec Composite Group BV cannot accept responsibility for any omissions or inaccuracies or for any consequences arising therefrom. By using this website, the user accepts the terms of this disclaimer.

Rotec Losflansche (Stützring für GFK-Rohre)

Drilling Standard: AS 2129 Table F



#	DN (mm)	Pmax (bar)	D (mm)	d1 (mm)	d10 (mm)	r1 (mm)	k (mm)	Holes (no.)	d2 (mm)	b1 (mm)	Article Number
17	400	25	640	469	463	9	552	20	30	70	BR-400-469-25/AS-F
18	400	32	640	478	472	10	552	20	30	74	BR-400-478-32/AS-F
19	450	20	710	533	527	9	610	20	33	69	BR-450-533-20/AS-F
20	450	25	710	533	527	9	610	20	33	75	BR-450-533-25/AS-F
21	500	20	735	590	584	10	673	24	33	77	BR-500-590-20/AS-F
22	500	25	735	590	584	10	673	24	33	88	BR-500-590-25/AS-F
23	630	20	850	687	681	9	781	24	36	89	BR-630-687-20/AS-F
24	630	25	850	687	681	9	781	24	36	97	BR-630-687-25/AS-F
25	800	20	1085	892	884	11	984	28	36	115	BR-800-892-20/AS-F
26	800	25	1085	892	884	11	984	28	36	122	BR-800-892-25/AS-F
27	900	20	1200	1003	995	11	1105	32	39	126	BR-900-1003-20/AS-F
28	900	25	1190	1003	995	11	1105	32	39	148	BR-900-1003-25/AS-F
29	1200	20	1540	1325	1315	12	1441	40	42	165	BR-1200-1325-20/AS-F

Disclaimer

Whilst every care is taken to ensure that the information on this website is complete and accurate, the Rotec Composite Group BV cannot accept responsibility for any omissions or inaccuracies or for any consequences arising therefrom. By using this website, the user accepts the terms of this disclaimer.