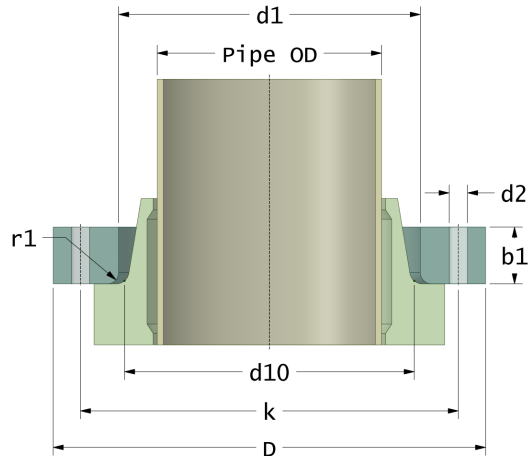
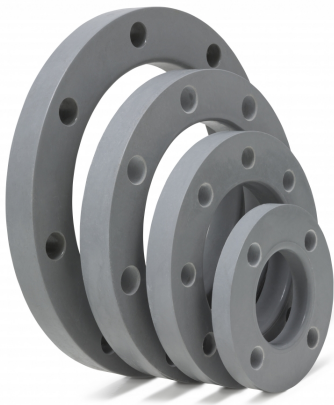


# Rotec Losflansche

## Nach Bayer Norm WN9901-12

Drilling Standard: EN1092 PN10



#	DN (mm)	Pmax (bar)	D (mm)	d1 (mm)	k (mm)	Holes (no.)	d2 (mm)	b1 (mm)	Article Number
1	25	10	116	51	85	4	14	15	BRP-25-51-12/16
2	32	10	140	59	100	4	18	16	BRP-32-59-12/16
3	40	10	154	69	110	4	18	18	BRP-40-69-12/16
4	50	10	164	83	125	4	18	18	BRP-50-83-12/16
5	65	10	184	96	145	4	18	20	BRP-65-96-12/16
6	80	10	200	112	160	8	18	23	BRP-80-112-12/16
7	100	10	228	134	180	8	18	25	BRP-100-134-12/16
8	125	10	254	161	210	8	18	28	BRP-125-161-12/16
9	150	10	284	189	240	8	22	34	BRP-150-189-12/16
10	200	10	342	238	295	8	22	41	BRP-200-238-12/10
11	250	10	405	294	350	12	22	51	BRP-250-294-12/10
12	300	10	458	344	400	12	22	60	BRP-300-344-12/10
13	350	10	520	388	460	16	22	63	BR-350-388-12/10
14	400	10	565	442	515	16	26	72	BR-400-442-12/10

### Disclaimer

Whilst every care is taken to ensure that the information on this website is complete and accurate, the Rotec Composite Group BV cannot accept responsibility for any omissions or inaccuracies or for any consequences arising therefrom. By using this website, the user accepts the terms of this disclaimer.